

SARIS NEW VISION
ARCHITECTURE ALUMINIUM SOLUTION



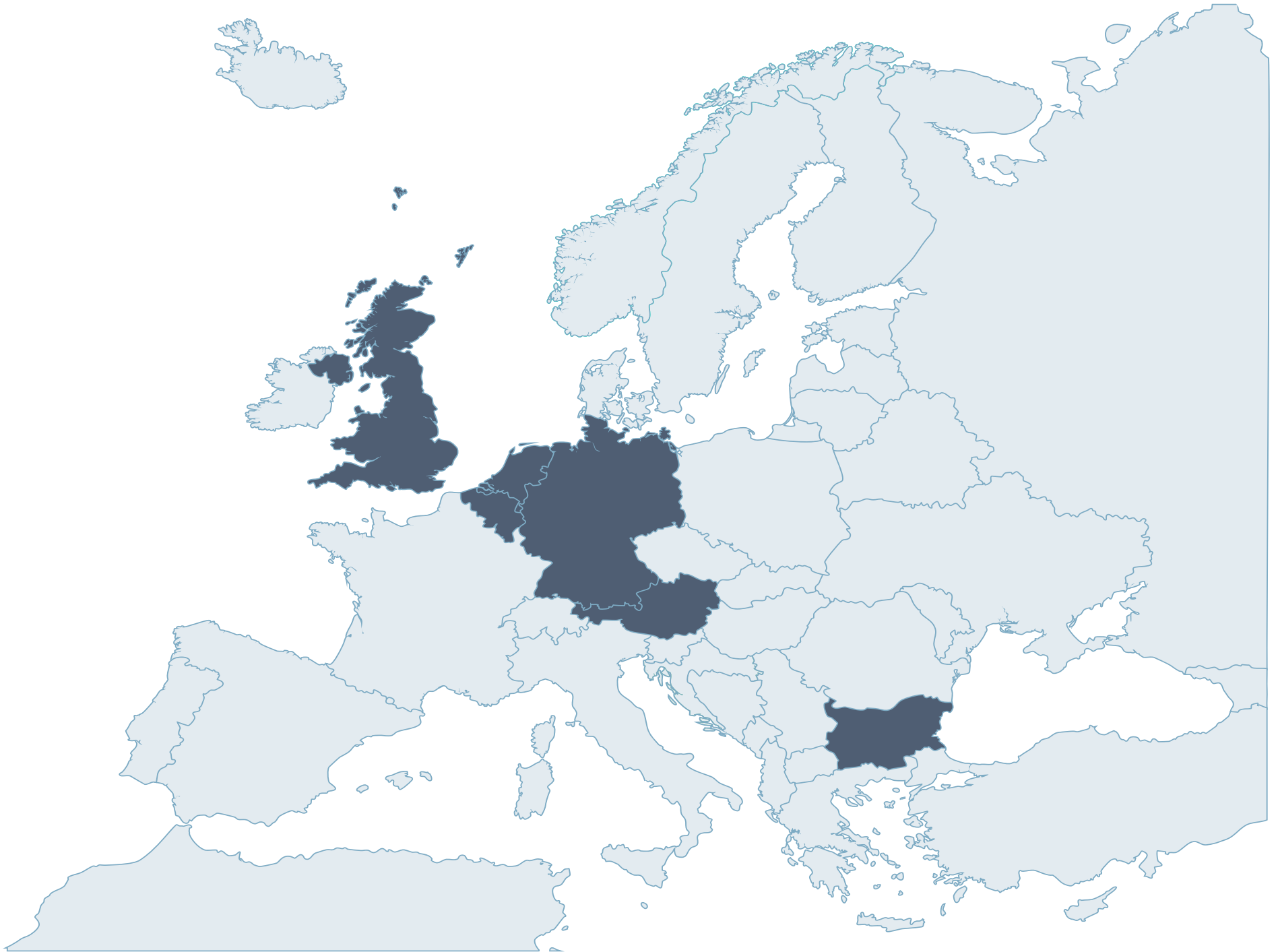
M
O
D
E
R
N

B
A
L
U
S
T
R
A
D
E



A L U M I N I U M a n d I N O X
f o r a r c h i t e c t u r e







SARIS

EUROPE PRODUCTION CAPACITY



Saris is a leader in the design and manufacture of aluminium and stainless steel railings. Production range is constantly expanding. We covers all the needs of our clients throught Europe. Our annual production capacity is over 50.000 t allowing us to meet all your requirements.



NEW VISION BALUSTRADE

1. System summary

IMPORTANT

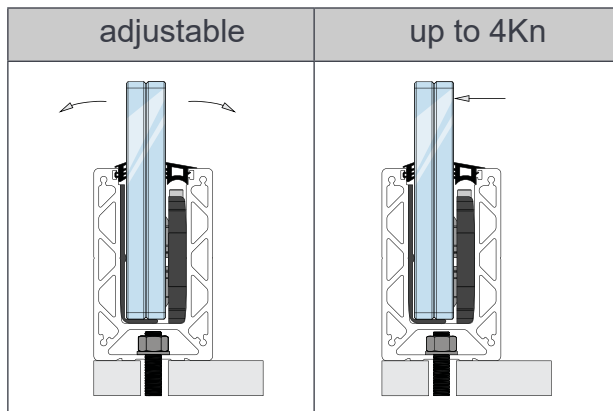
SARIS Ltd reserved the right to modify or remove any of its system profiles, accessories or gasket without prior notification.
SARIS Ltd will not be responsible for any possible typographical errors in this catalogue and strongly recommends to the client that, before formalising any order, to check that the references that appear in this catalogue are correct.

Description

The profile from the SV75UT series represents our top technological approach to glass balustrades. After more than 18 months of intensive development involving numerous prototypes, we have arrived at this finalized profile, easy to install and featuring a unique design. The glass panels can be effortlessly installed from the interior using an M5 hex key and an electric screwdriver, allowing for precise and easy alignment. With a strength of up to 4kN pressure with standard toughened laminated glass, SV75UT is not just a balustrade system but a highly preferred choice in the market. Our customer feedback, “A profile that changes the game,” confirms that SV75UT offers the highest standards of safety, elegance, and ease of installation, all within a competitive price range in Europe.

Durability is of utmost importance for both us and our customers. That’s why, in the moving parts for adjusting and securing the glass, we rely on stainless steel fasteners, as well as a special plastic blend with a high glass content and significantly higher UV protection compared to standard ones. The rubber seals are made from highly durable EPDM rubber with the highest class of UV protection.

wind load	up to 9(kN/m ²)
line load	up to 2.8(kN/m)

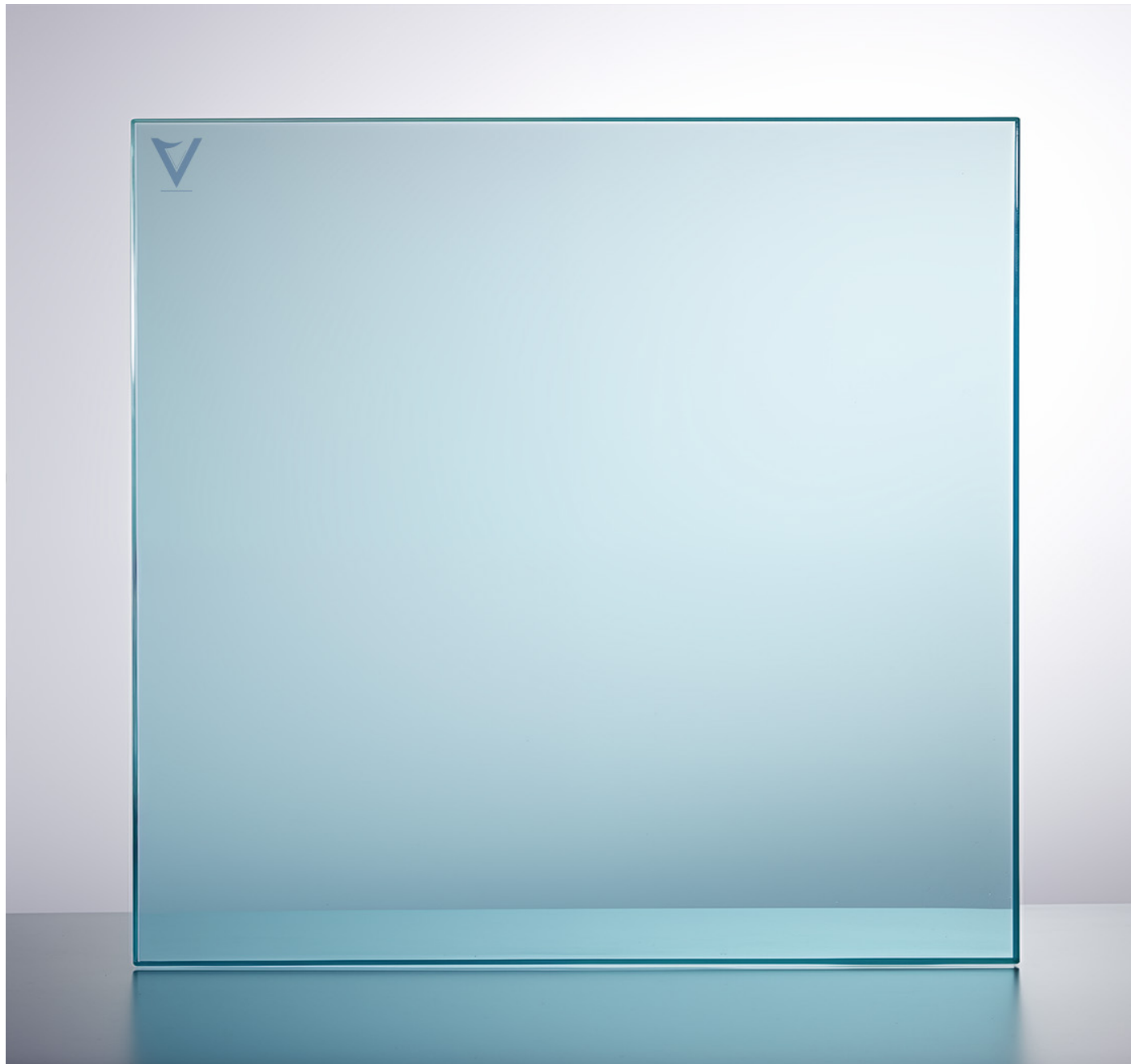


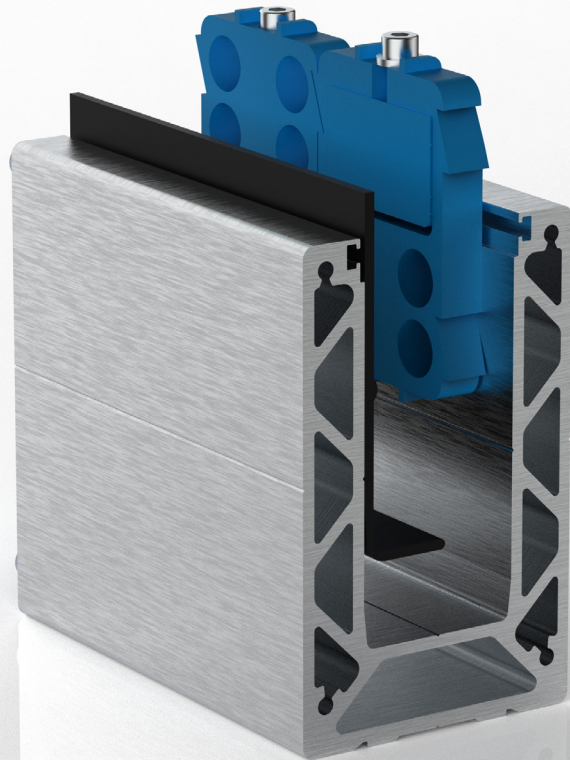
SV75U is not just a balustrade system; it’s a flexible solution capable of handling various atmospheric conditions, rain, salt, and UV rays. Successfully certified for different applications, from residential and domestic to industrial and areas with intensive human traffic. SV75U takes pride in its certificates, confirming that this balustrade system is suitable for every scenario.

SARIS NEW VISION | BALUSTRADE



SARIS NEW VISION | BALUSTRADE





COMPONENTS OF THE SYSTEM

1	Double glass stratobel strong AGC
2	EPDM rubber seals
3	Adjustment mechanism Easy-A
4	Adjustment Pad 3.5mm
5	Aluminium profile SV-75-UT
6	Chemical anchor M10 "Fischer"

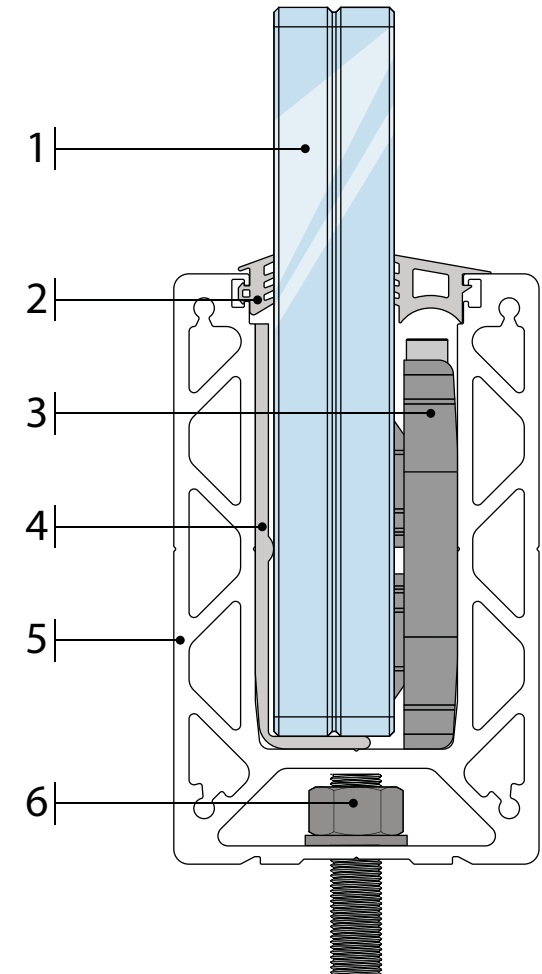
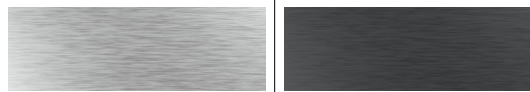
TECHNICAL SPECIFICATION

1	Length: 5000mm / 2500mm
2	Height: 118mm
3	Width: 73mm
4	Weight per meter: 6.408 kg.
5	Aluminium profile AW6063-T6
6	Anchor inox A4

LAMINATED GLASS COMPOSITIONS

10-1.52-10	10-1.14-10	10-0.76-10
12-1.52-12	12-1.14-12	12-0.76-12

COLORS AVAILBLE IN STOCK



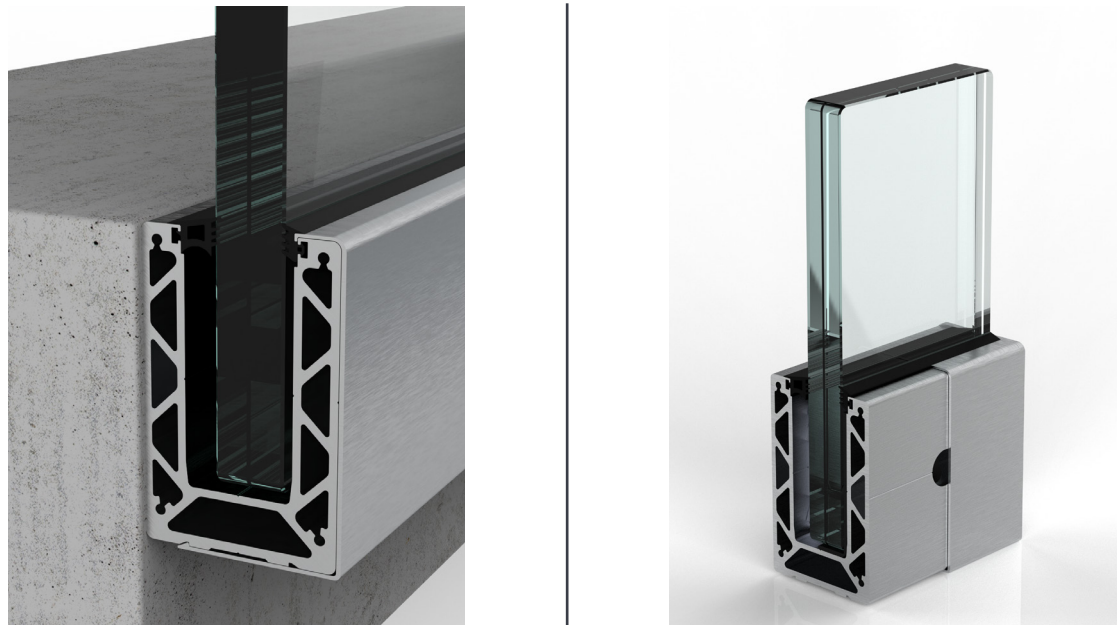
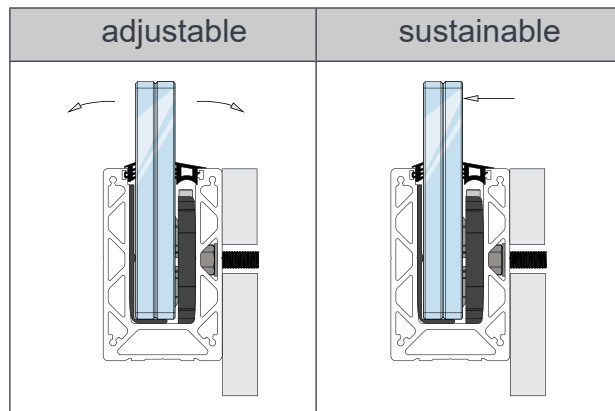
Important: More information about the profile can be found in the profiles to scale section

Description

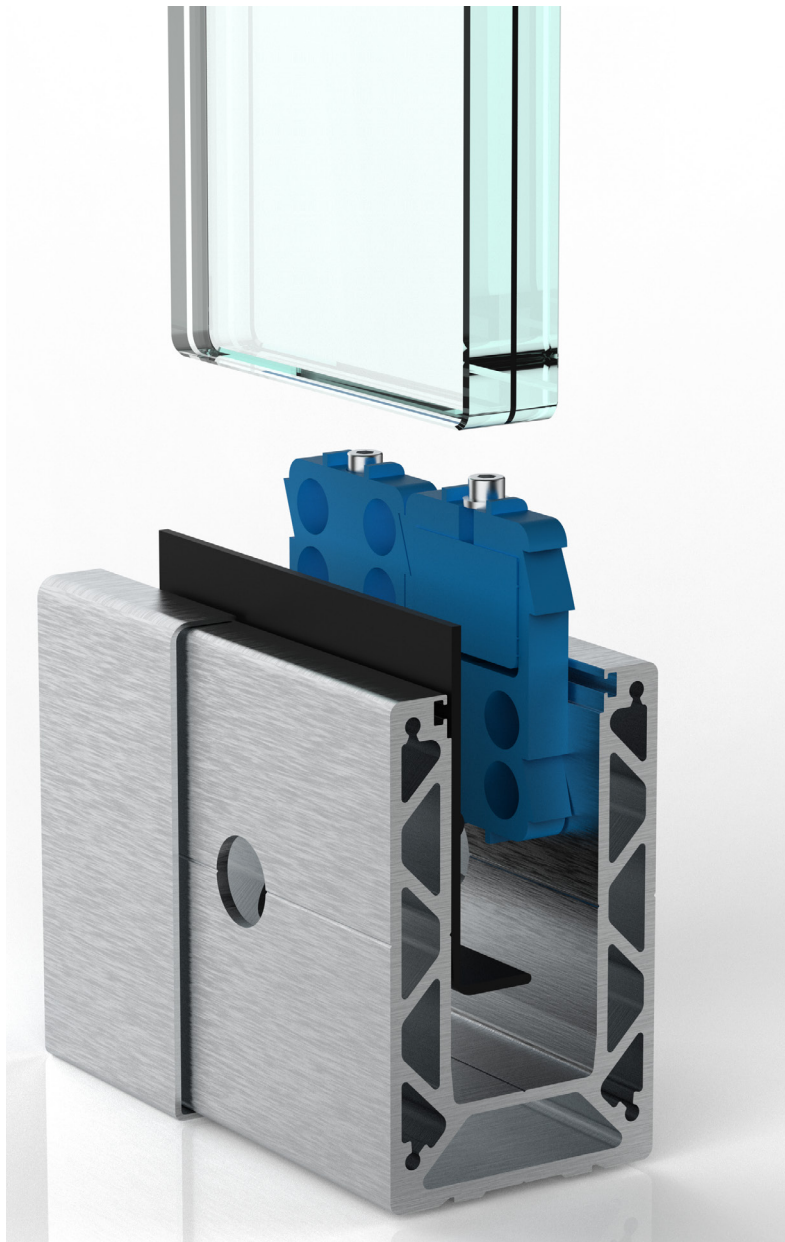
The SV75UF series profile represents our most advanced technology for glass balustrades. After over 18 months of intensive development and testing with various prototypes, we have finalized this profile. It's designed to be easy to install and features a unique design. The glass panels can be easily installed from the inside using an M5 hex key and an electric screwdriver, allowing for precise alignment. With a strength of up to 4kN pressure when using standard toughened laminated glass, SV75UF is not just any balustrade system; it's a highly preferred choice in the market. Our customers' feedback, "A game-changing profile," confirms that SV75UF offers the highest safety standards, elegance, and ease of installation, all at a competitive price in Europe.

Ensuring longevity is paramount for us and our clientele. Hence, when it comes to the movable components used to adjust and secure the glass, we opt for stainless steel fasteners. Additionally, we utilize a unique plastic compound with a high glass content and markedly superior UV shielding compared to conventional materials. Our rubber seals are crafted from exceptionally durable EPDM rubber, boasting the highest UV protection classification available.

wind load	up to 9(kN/m ²)
line load	up to 2.8(kN/m)



SV75UF transcends the definition of a mere balustrade system; it represents a versatile solution adept at tackling diverse atmospheric challenges including wind, rain, salt, and UV exposure. Accredited for a multitude of applications spanning residential, commercial, industrial, and high-traffic areas, SV75UF boasts a range of certifications affirming its suitability for any environment.



COMPONENTS OF THE SYSTEM

1	Double glass stratobel strong AGC
2	EPDM rubber seals
3	Adjustment mechanism Easy-A
4	Chemical anchor M10 "Fischer"
5	Adjustment Pad 3.5mm
6	Aluminium profile SV-75-UF
7	Aluminium profile SV-75-UF-C

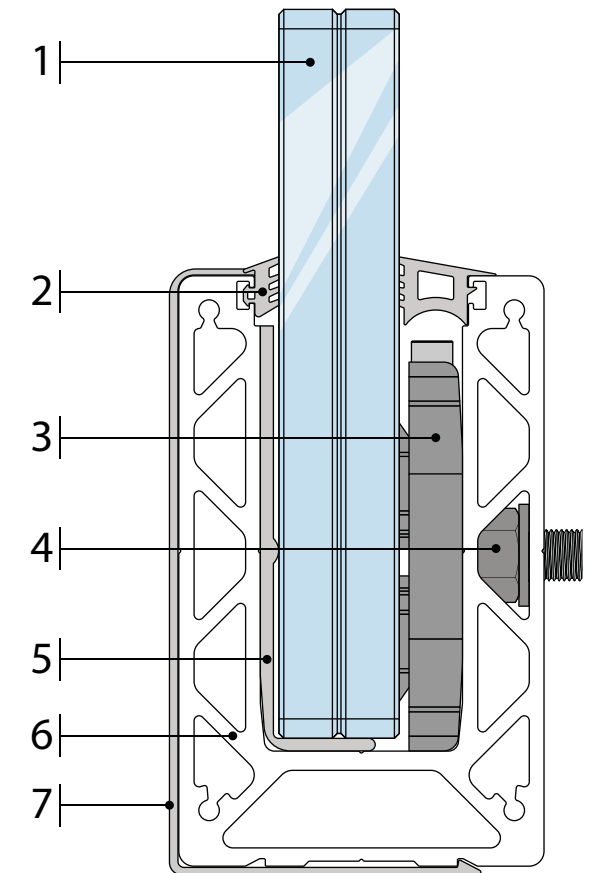
TECHNICAL SPECIFICATION

1	Length: 5000mm / 2500mm
2	Height: 120mm
3	Width: 75mm
4	Weight per meter: 7.260 kg.
5	Aluminium profile AW6063-T6
6	Anchor inox A4

LAMINATED GLASS COMPOSITIONS

10-1.52-10	10-1.14-10	10-0.76-10
12-1.52-12	12-1.14-12	12-0.76-12

COLORS AVAILABLE IN STOCK

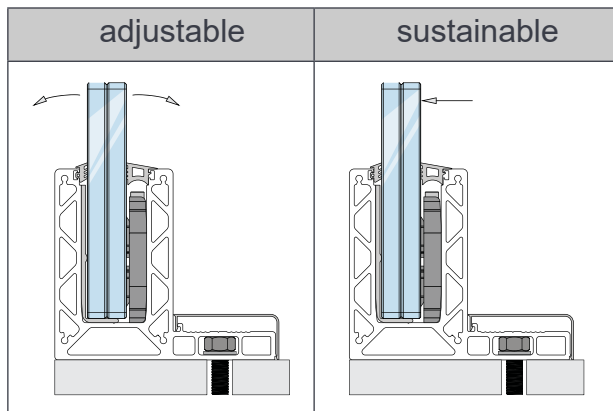


Description

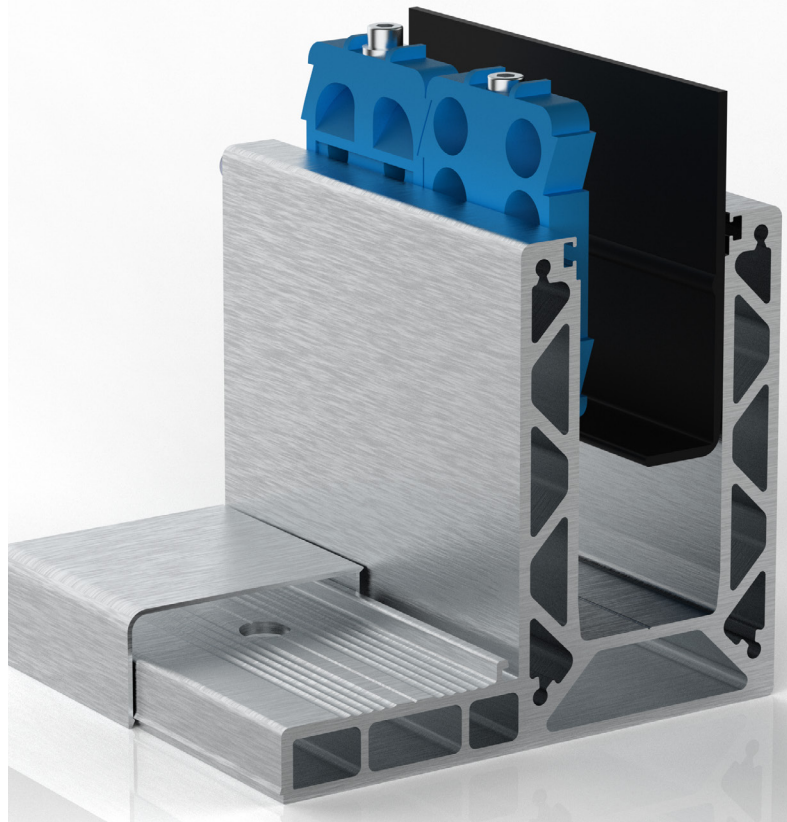
The SV75LT series profile epitomizes our cutting-edge approach to glass balustrades. Following over 18 months of intensive development, including numerous prototype iterations, we have perfected this profile. It boasts easy installation and a distinctive design. Glass panels can be effortlessly installed from within using an M5 hex key and an electric screwdriver, ensuring precise alignment. With a strength of up to 4kN pressure when paired with standard toughened laminated glass, SV75LT stands out as more than just a balustrade system it's the preferred choice in the market. Customer feedback like "A profile that revolutionizes the industry" underscores SV75LT commitment to top-notch safety, elegance, and installation convenience, all offered at a competitive price range in Europe.

Long-lasting performance is a top priority for both our team and our customers. That's why, when it comes to the movable parts responsible for adjusting and securing the glass, we utilize stainless steel fasteners. Furthermore, we employ a specialized plastic blend with an elevated glass content and significantly enhanced UV protection compared to standard alternatives. The rubber seals are constructed from highly resilient EPDM rubber, offering top-tier UV protection in its class.

wind load	up to 4.8(kN/m ²)
line load	up to 2.5(kN/m)



Beyond being just a conventional balustrade system, SV75LT embodies adaptability, adept at confronting varying atmospheric conditions such as wind, rain, salt, and UV radiation. Accredited across a spectrum of applications including residential, commercial, industrial, and areas with high foot traffic, SV75LT proudly showcases its certifications, underscoring its suitability for diverse settings.



COMPONENTS OF THE SYSTEM

1	Double glass stratobel strong AGC
2	EPDM rubber seals
3	Chemical anchor M10 "Fischer"
4	Aluminium profile SV-75-LT-C
5	Aluminium profile SV-75-LT
6	Adjustment Pad 3.5mm
7	Adjustment mechanism Easy-A

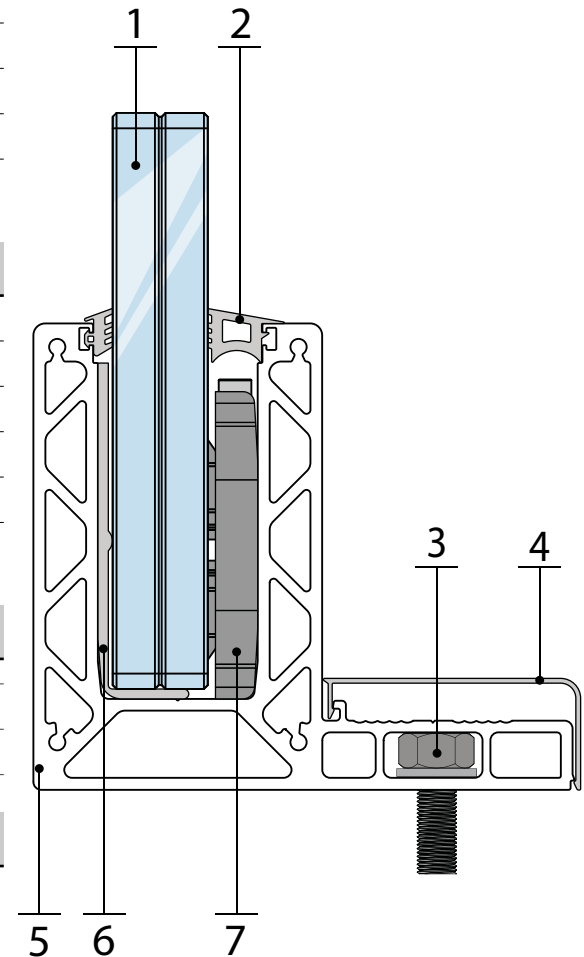
TECHNICAL SPECIFICATION

1	Length: 5000mm / 2500mm
2	Height: 118mm
3	Width: 140mm
4	Weight per meter: 7.870 kg.
5	Aluminium profile AW6063-T6
6	Anchor inox A4

LAMINATED GLASS COMPOSITIONS

10-1.52-10	10-1.14-10	10-0.76-10
12-1.52-12	12-1.14-12	12-0.76-12

COLORS AVAILABLE IN STOCK



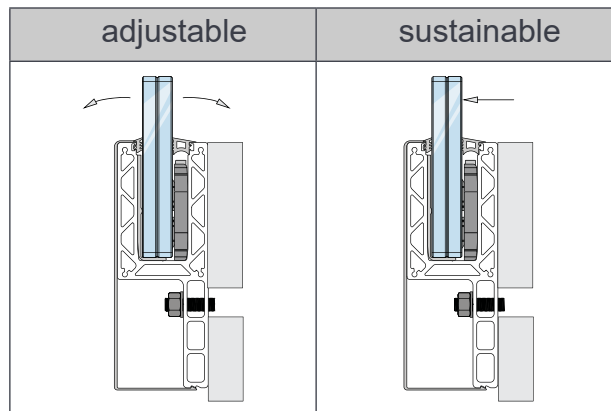
Important: More information about the profile can be found in the profiles to scale section

Description

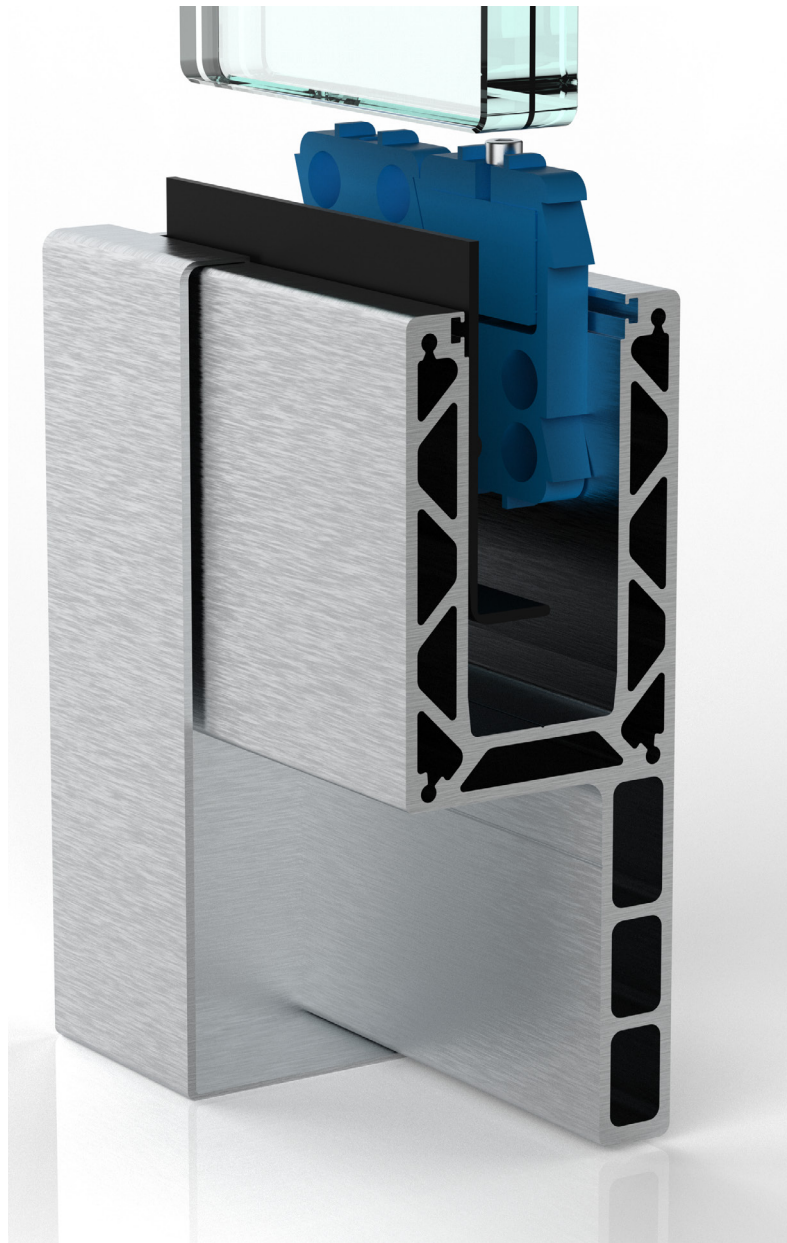
The SV75UT series profile embodies our state-of-the-art approach to glass balustrades. Following rigorous development over 18 months, involving multiple prototype iterations, we have finalized this profile. It is designed for easy installation and features a distinct design. Glass panels can be easily installed from the interior using an M5 hex key and an electric screwdriver, ensuring accurate alignment. With a strength of up to 4kN pressure when used with standard toughened laminated glass, SV75UT surpasses being just a balustrade system it's the preferred choice in the market. Customer feedback such as "A profile that sets new standards" confirms SV75UT's commitment to top-tier safety, elegance, and installation ease, all at a competitive price range in Europe.

Durability stands as a paramount concern for us and our client base alike. This is precisely why, in the components responsible for adjusting and securing the glass, we opt for stainless steel fasteners. Additionally, we incorporate a unique plastic blend with a high glass content and notably superior UV protection compared to conventional materials. Our rubber seals are composed of exceptionally durable EPDM rubber, boasting the highest level of UV protection available.

wind load	up to 8.67(kN/m ²)
line load	up to 1.17(kN/m)



SV75U is not just a balustrade system; it's a flexible solution capable of handling various atmospheric conditions: wind, rain, salt, and UV rays. Successfully certified for different applications, from residential and domestic to industrial and areas with intensive human traffic. SV75U takes pride in its certificates, confirming that this balustrade system is suitable for every scenario.



COMPONENTS OF THE SYSTEM

1	Double glass stratobel strong AGC
2	EPDM rubber seals
3	Adjustment Pad 3.5mm
4	Adjustment mechanism Easy-A
5	Aluminium profile SV-75-YT
6	Chemical anchor M10 "Fischer"
7	Aluminium profile SV-75-YT-C

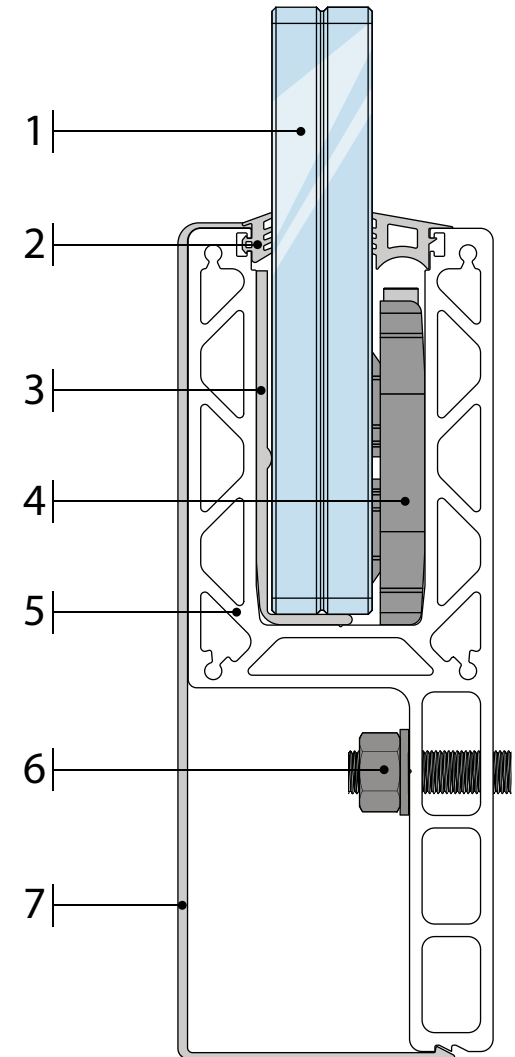
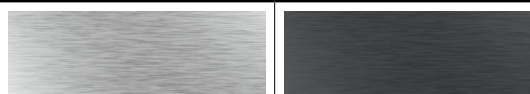
TECHNICAL SPECIFICATION

1	Length: 5000mm / 2500mm
2	Height: 200mm
3	Width: 75mm
4	Weight per meter: 9.350 kg.
5	Aluminium profile AW6063-T6
6	Anchor inox A4

LAMINATED GLASS COMPOSITIONS

10-1.52-10	10-1.14-10	10-0.76-10
12-1.52-12	12-1.14-12	12-0.76-12

COLORS AVAILABLE IN STOCK



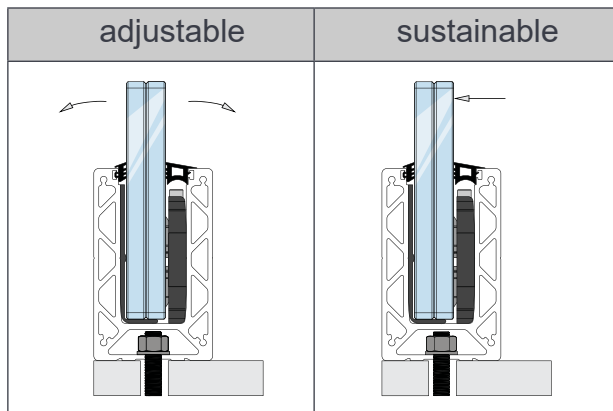
Important: More information about the profile can be found in the profiles to scale section

Description

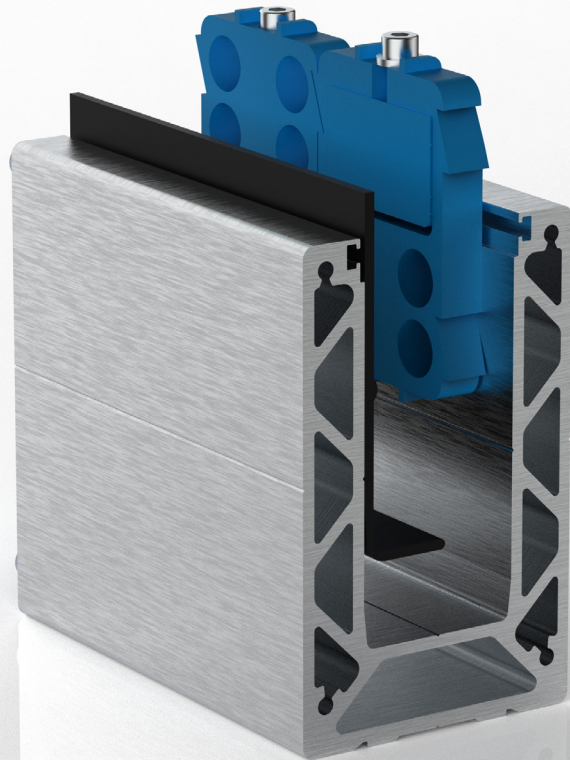
The profile from the SV75UT series represents our top technological approach to glass balustrades. After more than 18 months of intensive development involving numerous prototypes, we have arrived at this finalized profile, easy to install and featuring a unique design. The glass panels can be effortlessly installed from the interior using an M5 hex key and an electric screwdriver, allowing for precise and easy alignment. With a strength of up to 4kN pressure with standard toughened laminated glass, SV75UT is not just a balustrade system but a highly preferred choice in the market. Our customer feedback, “A profile that changes the game,” confirms that SV75UT offers the highest standards of safety, elegance, and ease of installation, all within a competitive price range in Europe.

Durability is of utmost importance for both us and our customers. That’s why, in the moving parts for adjusting and securing the glass, we rely on stainless steel fasteners, as well as a special plastic blend with a high glass content and significantly higher UV protection compared to standard ones. The rubber seals are made from highly durable EPDM rubber with the highest class of UV protection.

wind load	up to 4.40(kN/m ²)
line load	up to 1.32(kN/m)



SV75U is not just a balustrade system; it’s a flexible solution capable of handling various atmospheric conditions, rain, salt, and UV rays. Successfully certified for different applications, from residential and domestic to industrial and areas with intensive human traffic. SV75U takes pride in its certificates, confirming that this balustrade system is suitable for every scenario.



COMPONENTS OF THE SYSTEM

1	Double glass stratobel strong AGC
2	EPDM rubber seals
3	Adjustment mechanism Easy-A
4	Adjustment Pad 3.5mm
5	Aluminium profile SV-70-UT
6	Chemical anchor M10 "Fischer"

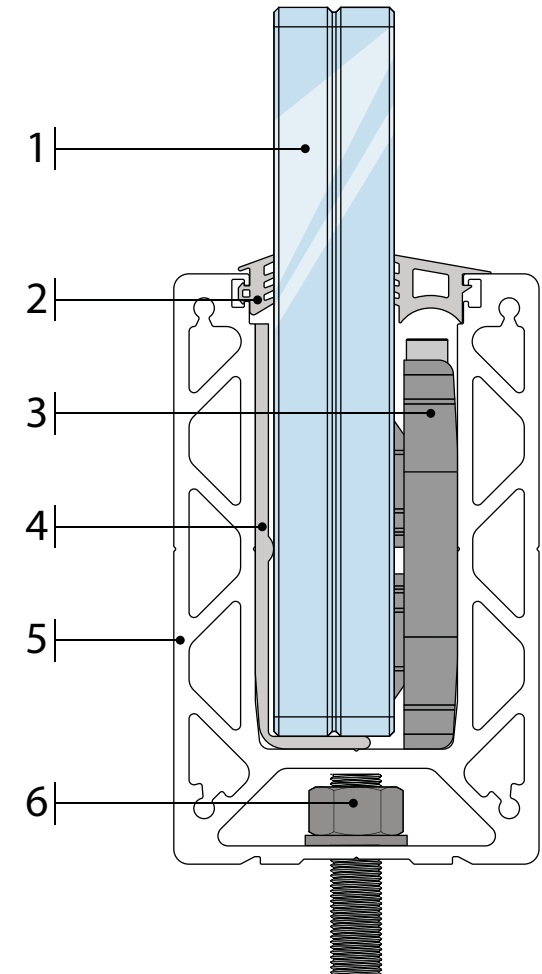
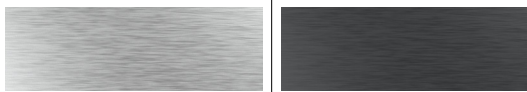
TECHNICAL SPECIFICATION

1	Length: 5000mm / 2500mm
2	Height: 118mm
3	Width: 69mm
4	Weight per meter: 4.858 kg.
5	Aluminium profile AW6063-T6
6	Anchor inox A4

LAMINATED GLASS COMPOSITIONS

10-1.52-10	10-1.14-10	10-0.76-10
12-1.52-12	12-1.14-12	12-0.76-12

COLORS AVAILBLE IN STOCK



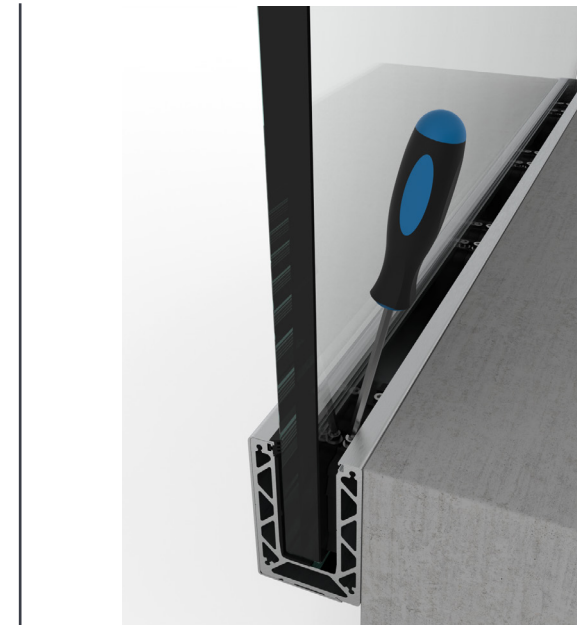
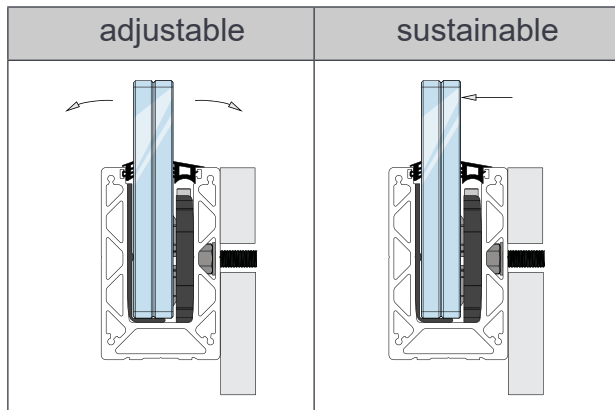
Important: More information about the profile can be found in the profiles to scale section

Description

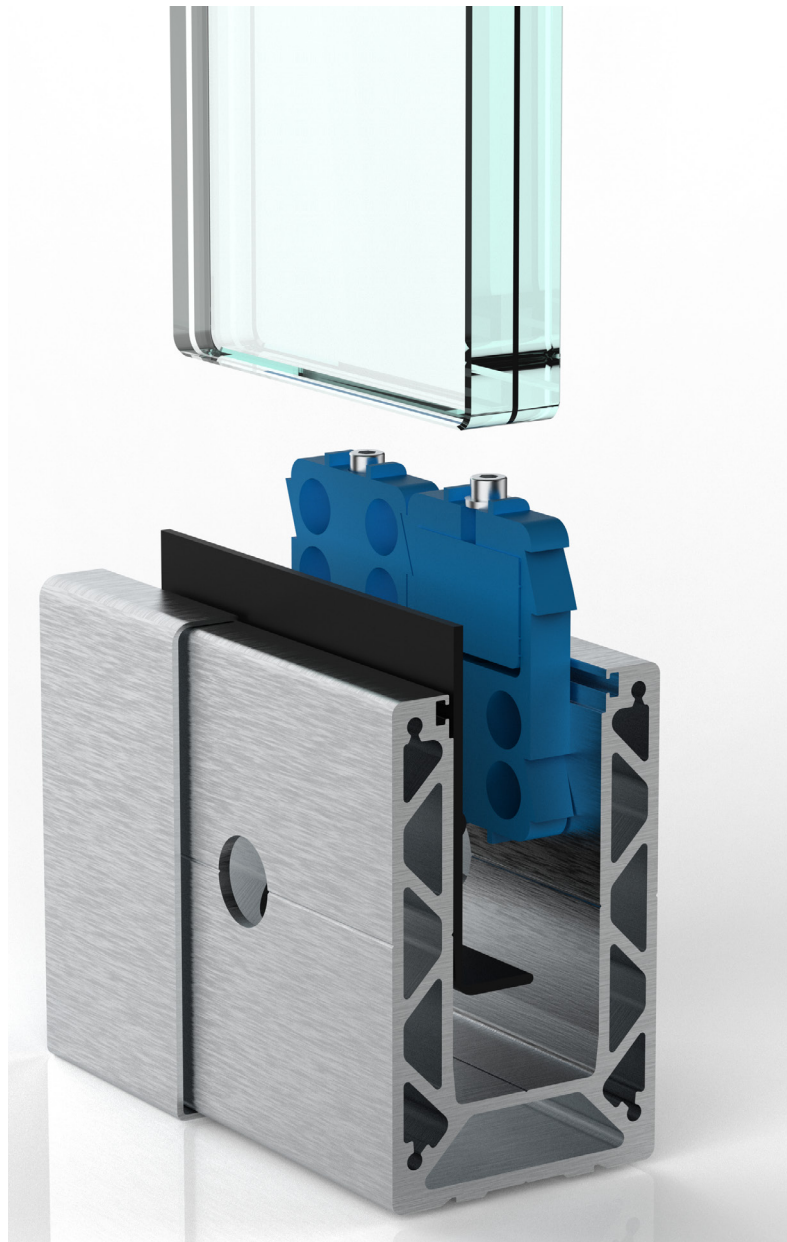
The profile from the SV75UF series represents our top technological approach to glass balustrades. After more than 18 months of intensive development involving numerous prototypes, we have arrived at this finalized profile, easy to install and featuring a unique design. The glass panels can be effortlessly installed from the interior using an M5 hex key and an electric screwdriver, allowing for precise and easy alignment. With a strength of up to 4kN pressure with standard toughened laminated glass, SV75UF is not just a balustrade system but a highly preferred choice in the market. Our customer feedback, "A profile that changes the game," confirms that SV75UF offers the highest standards of safety, elegance, and ease of installation, all within a competitive price range in Europe.

Durability is of utmost importance for both us and our customers. That's why, in the moving parts for adjusting and securing the glass, we rely on stainless steel fasteners, as well as a special plastic blend with a high glass content and significantly higher UV protection compared to standard ones. The rubber seals are made from highly durable EPDM rubber with the highest class of UV protection.

wind load	up to 4.40(kN/m ²)
line load	up to 1.32(kN/m)



SV75U is not just a balustrade system; it's a flexible solution capable of handling various atmospheric conditions: wind, rain, salt, and UV rays. Successfully certified for different applications, from residential and domestic to industrial and areas with intensive human traffic. SV75U takes pride in its certificates, confirming that this balustrade system is suitable for every scenario.



COMPONENTS OF THE SYSTEM

1	Double glass stratobel strong AGC
2	EPDM rubber seals
3	Adjustment mechanism Easy-A
4	Chemical anchor M10 "Fischer"
5	Adjustment Pad 3.5mm
6	Aluminium profile SV-70-UF
7	Aluminium profile SV-70-UF-C

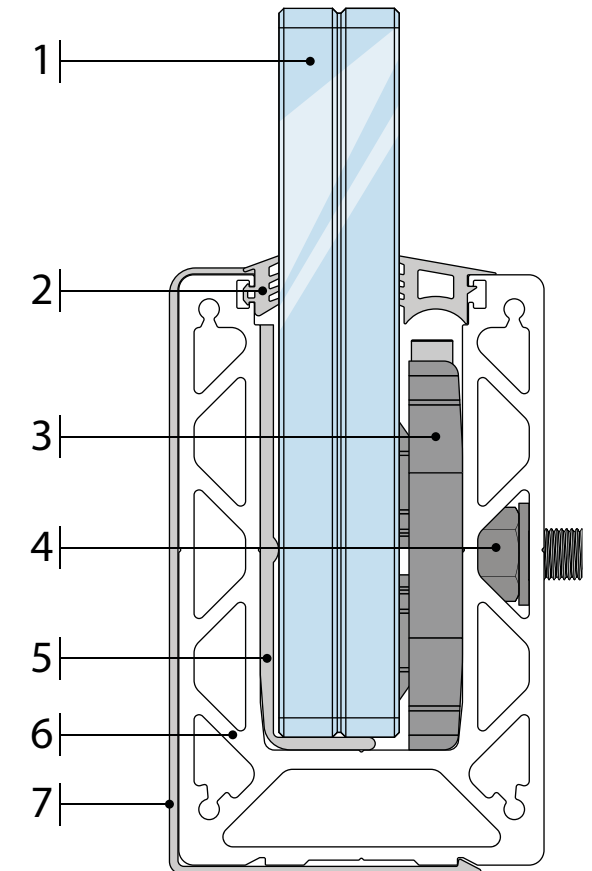
TECHNICAL SPECIFICATION

1	Length: 5000mm / 2500mm
2	Height: 120mm
3	Width: 71mm
4	Weight per meter: 5.710 kg.
5	Aluminium profile AW6063-T6
6	Anchor inox A4

LAMINATED GLASS COMPOSITIONS

10-1.52-10	10-1.14-10	10-0.76-10
12-1.52-12	12-1.14-12	12-0.76-12

COLORS AVAILABLE IN STOCK



Important: More information about the profile can be found in the profiles to scale section

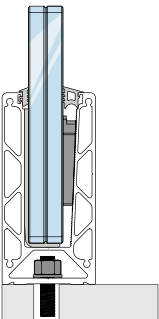
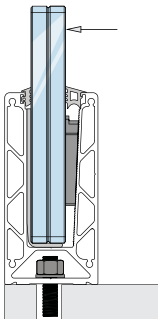
Description

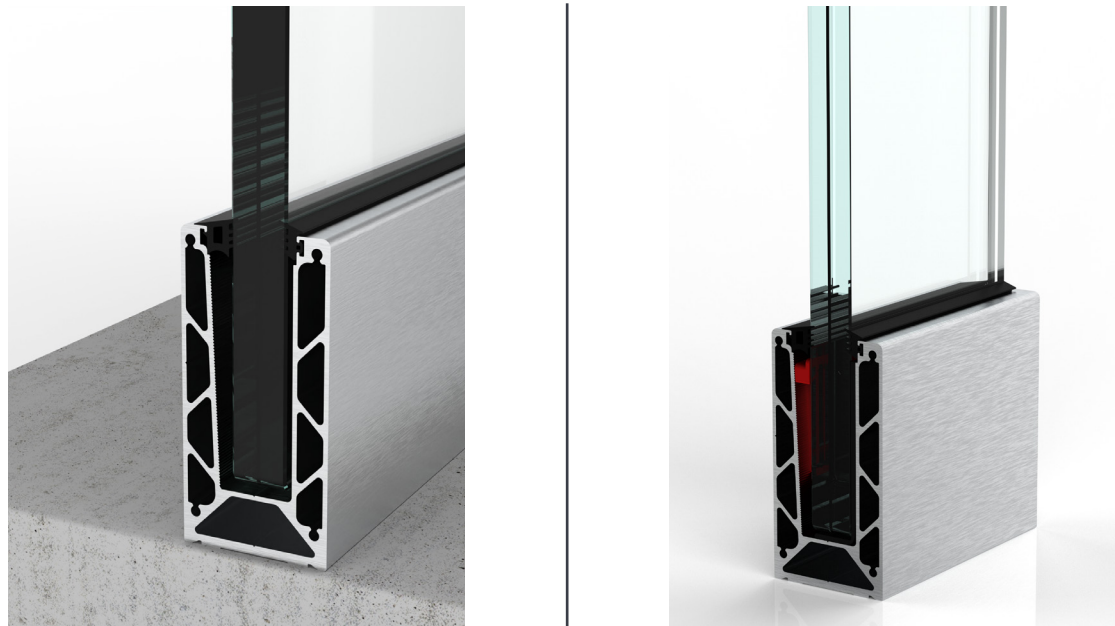
SV55UT stands as the latest addition to our collection of upper-mounted glass railing systems, meticulously designed by our team of engineers. This affordable solution offers a polished look, simplified installation, and demands minimal maintenance. Glass panels are effortlessly fastened using clamps and a clamping tool, guaranteeing enduring durability even in high-traffic areas.

In the production of SV55UT, we employ premium-grade EN AW 6060 series aluminum known for its exceptional robustness and adaptability, tailored to support glass thicknesses ranging from 12.76mm to 21.52mm.

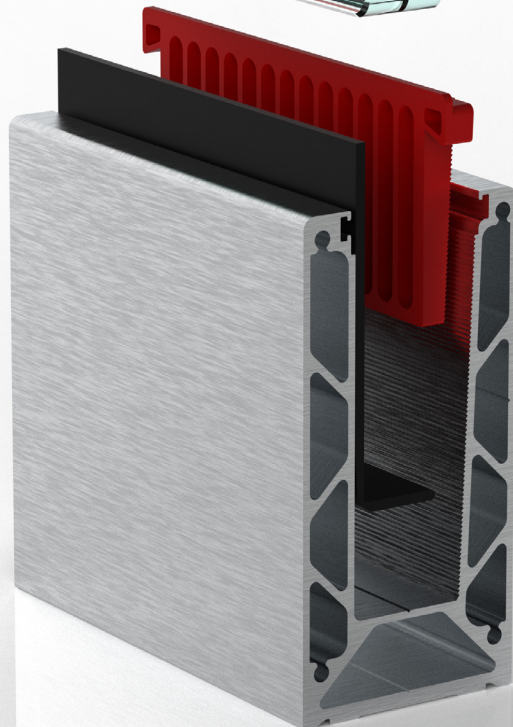
Durability is of utmost importance for both us and our customers. That's why, in the moving parts for adjusting and securing the glass, we rely on stainless steel fasteners, as well as a special plastic blend with a high glass content and significantly higher UV protection compared to standard ones. The rubber seals are made from highly durable EPDM rubber with the highest class of UV protection.

wind load	up to 3.47(kN/m ²)
line load	up to 1.00(kN/m)

top mount	sustainable
	



SV55UT is not just a balustrade system; it's a flexible solution capable of handling various atmospheric conditions: wind, rain, salt, and UV rays. Successfully certified for different applications, from residential and domestic to industrial and areas with intensive human traffic. SV75U takes pride in its certificates, confirming that this balustrade system is suitable for every scenario.



COMPONENTS OF THE SYSTEM

1	Double glass stratobel strong AGC
2	EPDM rubber seals
3	Wedge mounting Wedge-F
4	Clear Pad 2.5mm
5	Aluminium profile SV-55-UT
6	Chemical anchor M10 "Fischer"

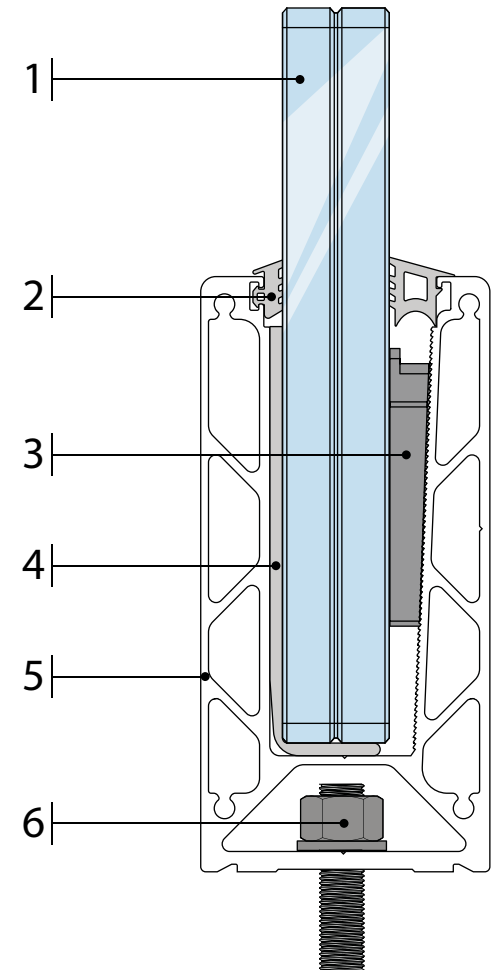
TECHNICAL SPECIFICATION

1	Length: 5000mm / 2500mm
2	Height: 118mm
3	Width: 57.8mm
4	Weight per meter: 3.999 kg.
5	Aluminium profile AW6063-T6
6	Anchor inox A4

LAMINATED GLASS COMPOSITIONS

8-1.52-8	8-1.14-8	8-0.76-8
10-1.52-10	10-1.14-10	10-0.76-10

COLORS AVAILBLE IN STOCK



Important: More information about the profile can be found in the profiles to scale section

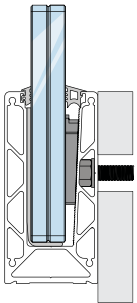
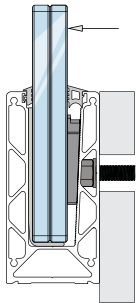
Description

Introducing SV55UF, our newly engineered upper-mounted glass railing system. This economical solution offers an elegant finish, simplified installation procedure, and necessitates minimal maintenance. The rapid attachment of glass panels is facilitated by clamps and a clamping tool, ensuring prolonged durability even under demanding conditions.

In the production of SV55UF, we utilize premium EN AW 6060 series aluminum, recognized for its remarkable strength and flexibility, tailored to support glass thicknesses ranging from 12.76mm to 21.52mm.

Durability is of utmost importance for both us and our customers. That's why, in the moving parts for adjusting and securing the glass, we rely on stainless steel fasteners, as well as a special plastic blend with a high glass content and significantly higher UV protection compared to standard ones. The rubber seals are made from highly durable EPDM rubber with the highest class of UV protection.

wind load	up to 3.47(kN/m ²)
line load	up to 1.00(kN/m)

side mount	sustainable
	



SV55UT is not just a balustrade system; it's a flexible solution capable of handling various atmospheric conditions: wind, rain, salt, and UV rays. Successfully certified for different applications, from residential and domestic to industrial and areas with intensive human traffic. SV55UT takes pride in its certificates, confirming that this balustrade system is suitable for every scenario.



COMPONENTS OF THE SYSTEM

1	Double glass stratobel strong AGC
2	EPDM rubber seals
3	Wedge mounting Wedge-F
4	Chemical anchor M10 "Fischer"
5	Clear Pad 2.5mm
6	Aluminium profile SV-55-UF
7	Aluminium profile SV-55-UF-C

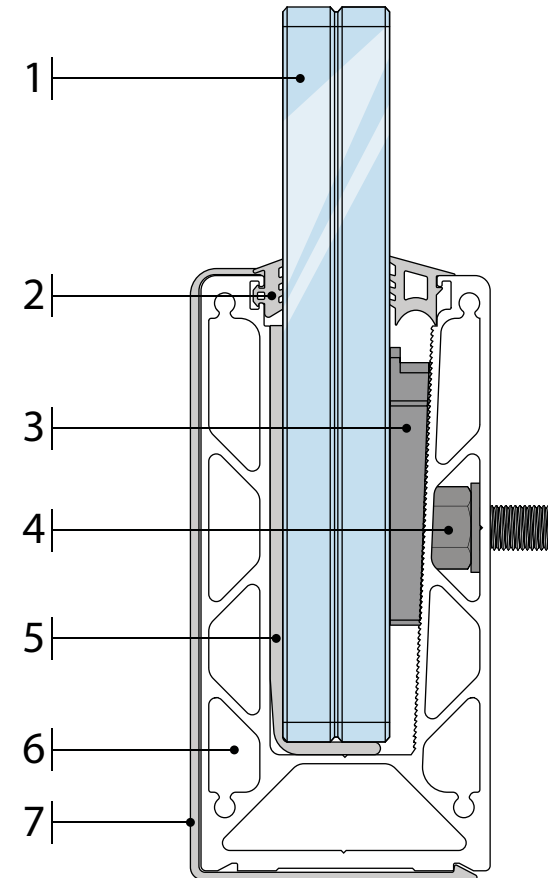
TECHNICAL SPECIFICATION

1	Length: 5000mm / 2500mm
2	Height: 118mm
3	Width: 59.8mm
4	Weight per meter: 4.825 kg.
5	Aluminium profile AW6063-T6
6	Anchor inox A4

LAMINATED GLASS COMPOSITIONS

8-1.52-8	8-1.14-8	8-0.76-8
10-1.52-10	10-1.14-10	10-0.76-10

COLORS AVAILABLE IN STOCK



Important: More information about the profile can be found in the profiles to scale section

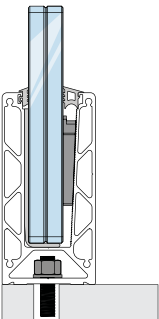
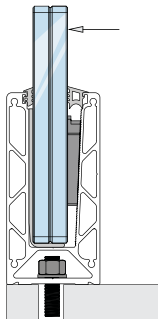
Description

SV55UM emerges as our latest innovation in upper-mounted glass railing systems, meticulously developed by our team of experts. This cost-effective solution presents a refined appearance, simplified installation process, and requires minimal maintenance. Glass panels are swiftly secured using clamps and a clamping tool, ensuring enduring durability even with frequent use.

In crafting SV55UM, we opt for top-tier EN AW 6060 series aluminum, renowned for its exceptional strength and flexibility, specifically engineered to accommodate glass thicknesses ranging from 12.76mm to 21.52mm.

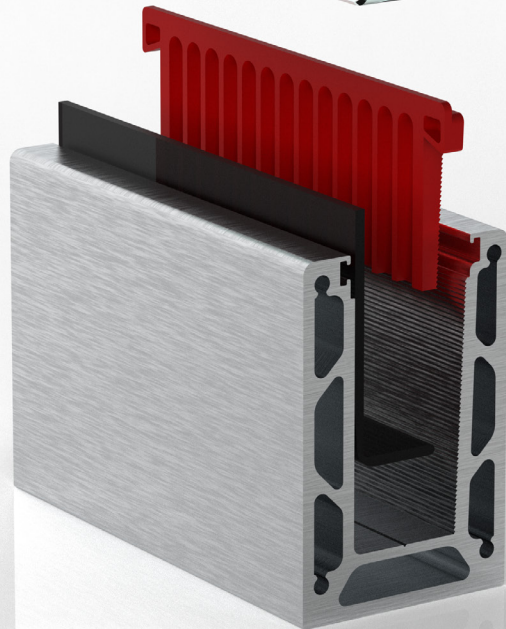
Durability is of utmost importance for both us and our customers. That's why, in the moving parts for adjusting and securing the glass, we rely on stainless steel fasteners, as well as a special plastic blend with a high glass content and significantly higher UV protection compared to standard ones. The rubber seals are made from highly durable EPDM rubber with the highest class of UV protection.

wind load	up to 6.63(kN/m ²)
line load	up to 1.80(kN/m)

top mount	sustainable
	



SV55UM is not just a balustrade system; it's a flexible solution capable of handling various atmospheric conditions: wind, rain, salt, and UV rays. Successfully certified for different applications, from residential and domestic to industrial and areas with intensive human traffic. SV755UM takes pride in its certificates, confirming that this balustrade system is suitable for every scenario.



COMPONENTS OF THE SYSTEM

1	Double glass stratobel strong AGC
2	EPDM rubber seals
3	Clear Pad 2.5mm
4	Wedge mounting Wedge-F
5	Aluminium profile SV-55-UM
6	Chemical anchor M10 "Fischer"

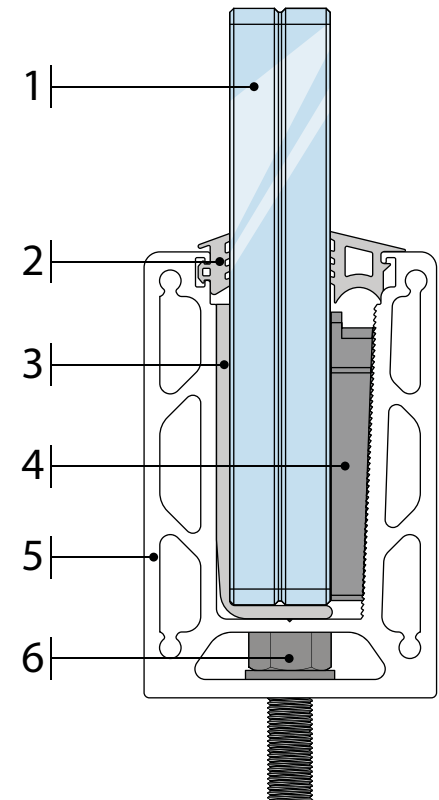
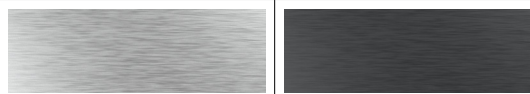
TECHNICAL SPECIFICATION

1	Length: 5000mm / 2500mm
2	Height: 118mm
3	Width: 55.8mm
4	Weight per meter: 4.068 kg.
5	Aluminium profile AW6063-T6
6	Anchor inox A4

LAMINATED GLASS COMPOSITIONS

8-1.52-8	8-1.14-8	8-0.76-8
10-1.52-10	10-1.14-10	10-0.76-10

COLORS AVAILBLE IN STOCK



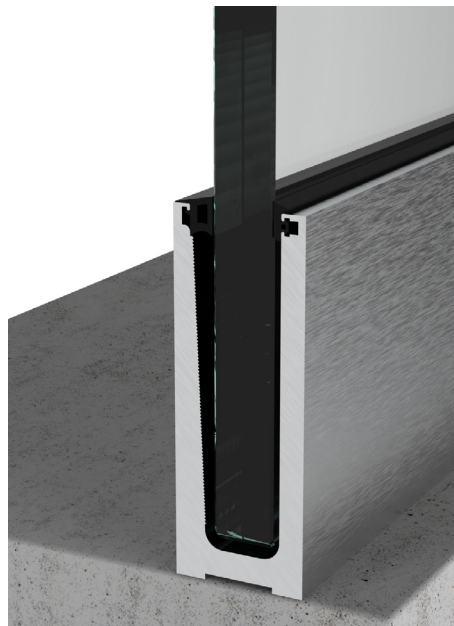
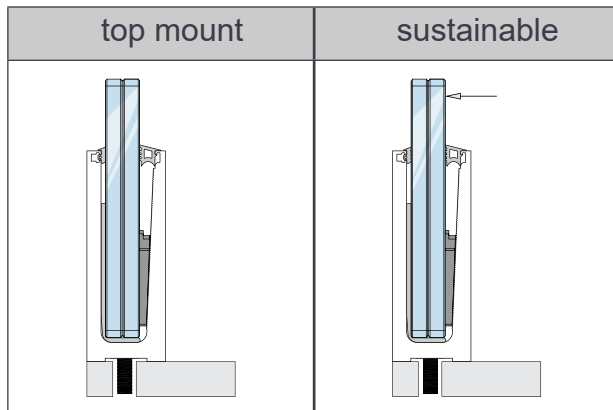
Important: More information about the profile can be found in the profiles to scale section

Description

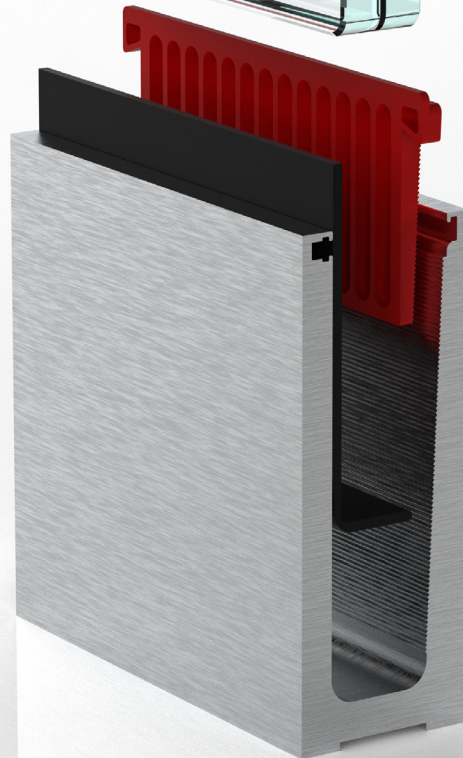
The profile from the SV45UT series represents our top technological approach to glass balustrades. After more than 18 months of intensive development involving numerous prototypes, we have arrived at this finalized profile, easy to install and featuring a unique design. The glass panels can be effortlessly installed from the interior using an M5 hex key and an electric screwdriver, allowing for precise and easy alignment. With a strength of up to 3kN pressure with standard toughened laminated glass, SV75UF is not just a balustrade system but a highly preferred choice in the market. Our customer feedback, “A profile that changes the game,” confirms that SV45UT offers the highest standards of safety, elegance, and ease of installation, all within a competitive price range in Europe.

Durability is of utmost importance for both us and our customers. That’s why, in the moving parts for adjusting and securing the glass, we rely on stainless steel fasteners, as well as a special plastic blend with a high glass content and significantly higher UV protection compared to standard ones. The rubber seals are made from highly durable EPDM rubber with the highest class of UV protection.

wind load	up to 11.9(kN/m ²)
line load	u p to 3.43(kN/m)



SV45UT is not just a balustrade system; it’s a flexible solution capable of handling various atmospheric conditions: wind, rain, salt, and UV rays. Successfully certified for different applications, from residential and domestic to industrial and areas with intensive human traffic. SV75U takes pride in its certificates, confirming that this balustrade system is suitable for every scenario.



COMPONENTS OF THE SYSTEM

1	Double glass stratobel strong AGC
2	EPDM rubber seals
3	Aluminium profile SV-45-UT
4	Clear Pad 2.5mm
5	Wedge mounting Wedge-F
6	Chemical anchor M10 "Fischer"

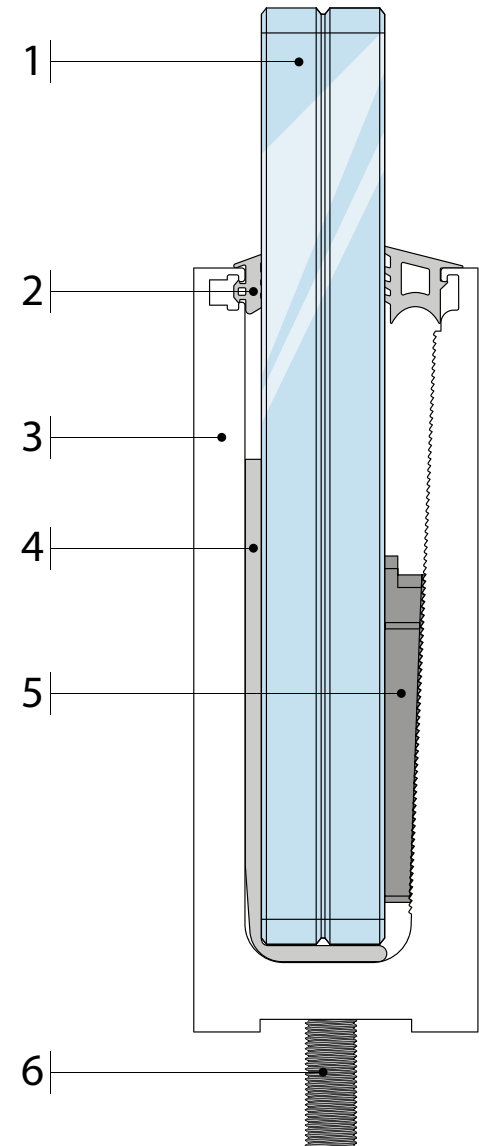
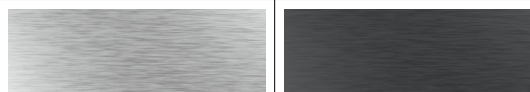
TECHNICAL SPECIFICATION

1	Length: 5000mm / 2500mm
2	Height: 118mm
3	Width: 45mm
4	Weight per meter: 6.180 kg.
5	Aluminium profile AW6063-T6
6	Anchor inox A4

LAMINATED GLASS COMPOSITIONS

8-1.52-8	8-1.14-8	8-0.76-8
10-1.52-10	10-1.14-10	10-0.76-10

COLORS AVAILABLE IN STOCK



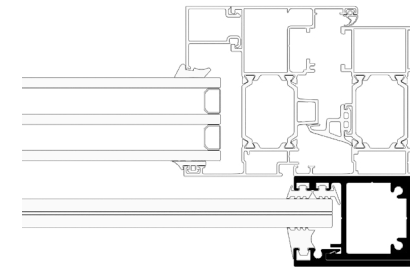
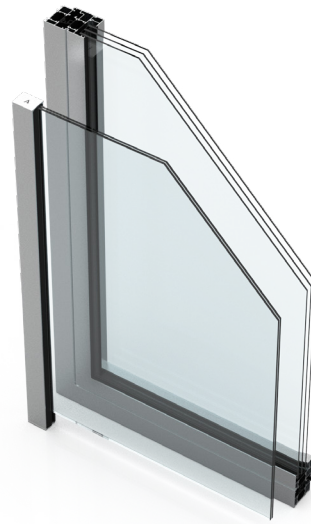
Important: More information about the profile can be found in the profiles to scale section

BALUSTRADE New VISION

Juliet balcony - two profiles **SV-55-JB**

Description

The profile SV55JB is an innovative balustrading solution that can be mounted both on window frames and directly onto walls using concealed fixing. This system provides an aesthetic and finished exterior look without visible fasters, contributing to a more elegant and modern design. Due to its construction, the balustrade allows for the complete opening of balconies while eliminating the risk of falling and ensuring buildings and renovations, providing a reliable and stylish solution for protection and comfort.



The profile SV55JB has 3 mounting options. Option 1 directly for the front wall, option 2 for the side wall and option 3 for the windows. The system is designed so that whichever option you choose the look will be perfect.



COMPONENTS OF THE SYSTEM

1	Aluminium profile SV-55-JB
2	Aluminium profile SV-55-JB-C
3	EPDM rubber seals x2
4	Double glass stratobel strong AGC
5	EPDM rubber seals x2
6	Chemical anchor /montage variant 1/
7	Chemical anchor /montage variant 2/

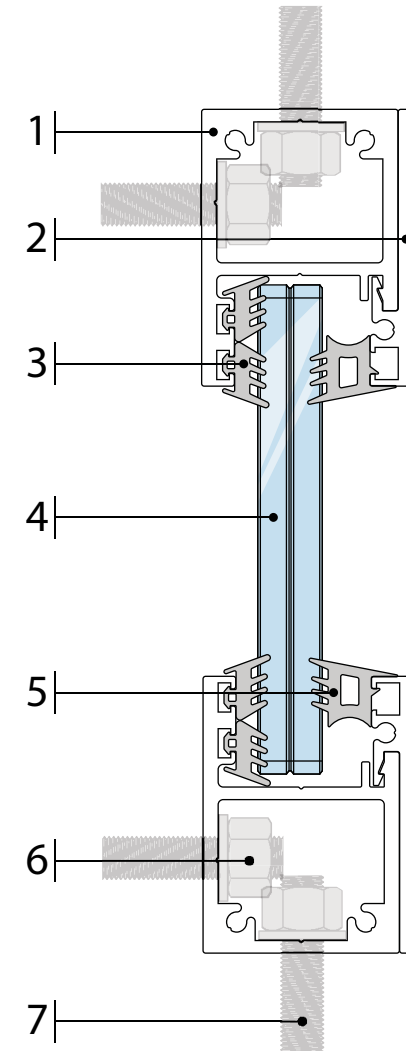
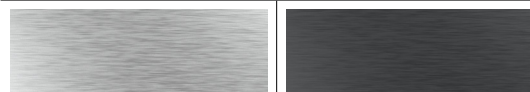
TECHNICAL SPECIFICATION

1	Length: 5000mm / 2500mm
2	Height: 55mm
3	Width: 42mm
4	Weight per meter: 2.057 kg.
5	Aluminium profile AW6063-T6
6	Anchor inox A4

LAMINATED GLASS COMPOSITIONS

6-1.52-6	6-1.14-6	6-0.76-6
----------	----------	----------

COLORS AVAILBLE IN STOCK

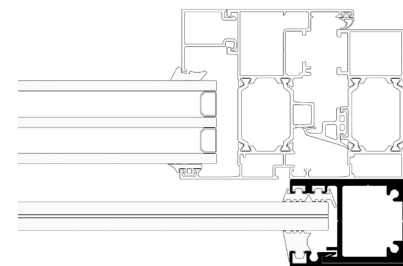
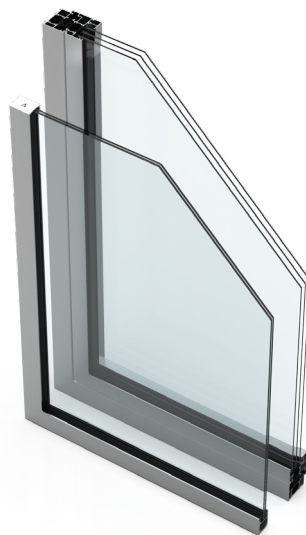


Important: More information about the profile can be found in the profiles to scale section

BALUSTRADE New VISION

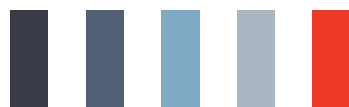
Juliet balcony - three profiles **SV-55-JB**

Additionally, we offer this system with or without a bottom frame, depending on the client's needs and the desired appearance of the building. This flexibility makes our solution ideal for contemporary buildings and renovations, providing a reliable and stylish solution for the protection and comfort.





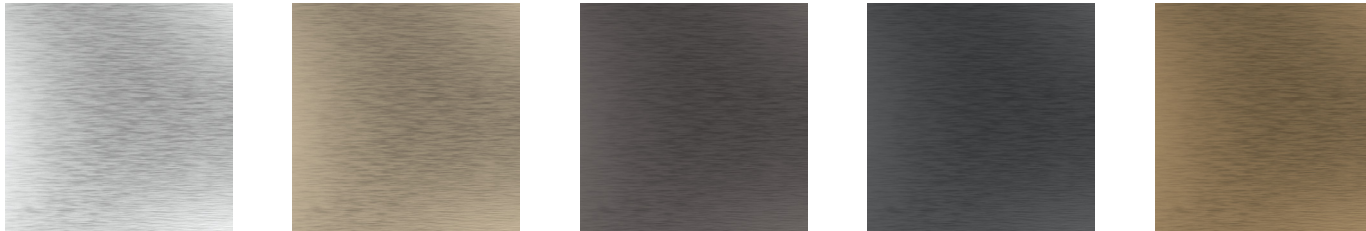
S A R I S



SARIS NEW VISION | Standard Finishing treatment

Brushed anodized

The colors shown are a small part of that entire range we can offer.
For specific color or custom information, please contact us.



Anodized

The colors shown are a small part of that entire range we can offer.
For specific color or custom information, please contact us.



Standard RAL

We cover the entire RAL color range.
For specific color or custom information, please contact us.



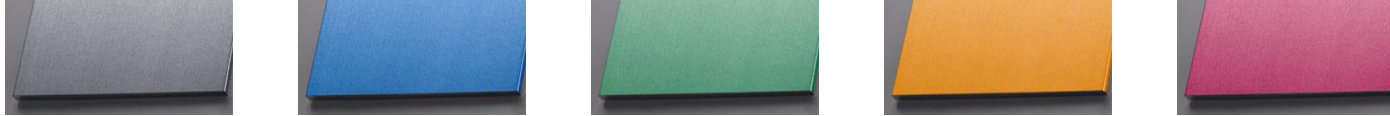
IMPORTANT

Colors shown are examples and may vary from actual. For a specific color make an inquiry using the contact details provided

SARIS NEW VISION | Special Finishing treatment

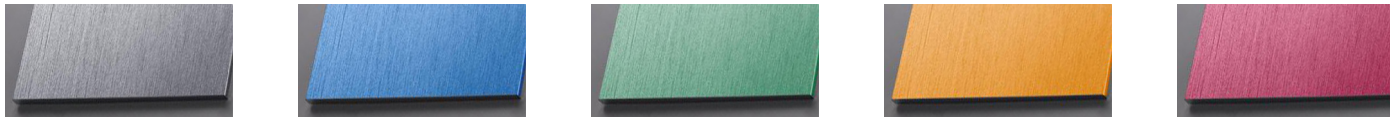
A R C / M A T T

Anodised satiny chemical treatment - matt finish
Gives surface a matt look.



A R S O / B R U S H E D M A T T

Anodised brushed scotch brite treatment - matt finish.
Gives the surface a more or less evident scratched look based on client taste, with a matt finish.



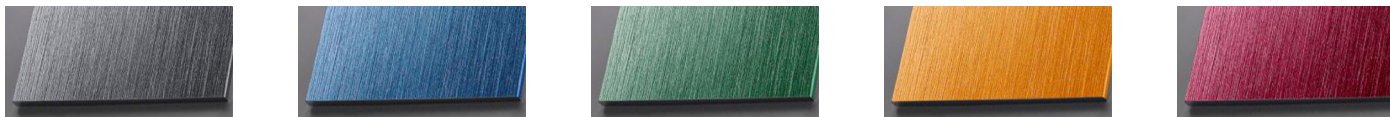
A R P B / G L O S S Y

Anodized clean glossy treatment - glossy finish.
Creates a "mirror" surface using a glossy finish.



A R S B / B R U S H E D G L O S S Y

Anodized brushed scotch brite treatment - glossy finish.
Gives the surface a more or less evident scratched look based on client taste; supplied with a matt(ARSO) or glossy (ARSB) finish



SARIS NEW VISION | BALUSTRADE





NEW VISION BALUSTRADE

2.PROFILE LIST

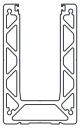
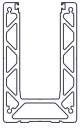
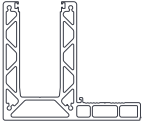
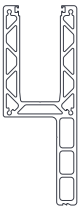
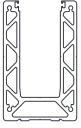
IMPORTANT

SARIS Ltd reserved the right to modify or remove any of its system profiles, accesories or gasket without prior notification.
SARIS Ltd will not be responsible for any possible typographical errors in this catalogue and strongly recommends to the client that, before formalising any order, to check that the references that appear in this catalogue are correct.



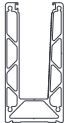
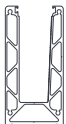
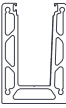

SARIS NEW VISION BALUSTRADE

Profile list

CATALOGUE №	DESIGN	DESCRIPTION	WEIGHT (kg/m)	AREA (mm ²)	MATERIAL
SV-75-UT		Balustrade bottom support	6.408	2373.47	AW6060
SV-75-UF		Balustrade bottom support	6.408	2373.47	AW6060
SV-75-LT		Balustrade bottom support with overlap	7.556	2798.59	AW6060
SV-75-YF		Balustrade support flush slab edge	7.788	2884.48	AW6060
SV-70-UT		Balustrade bottom support	4.858	1799.28	A W6060

SARIS NEW VISION BALUSTRADE
Profile list








CATALOGUE №	DESIGN	DESCRIPTION	WEIGHT (kg/m)	AREA (mm ²)	MATERIAL
SV-70-UF		Balustrade bottom support	4.858	1799.28	AW6060
SV-55-UT		Balustrade bottom support	3.999	1480.98	AW6060
SV-55-UF		Balustrade bottom support	3.999	1480.98	AW6060
SV-55-UM		Balustrade bottom support	4.068	1506.73	AW6060
SV-45-UT		Balustrade bottom support	6.118	2265.85	A W6060






SARIS NEW VISION BALUSTRADE

Profile list

CATALOGUE №	DESIGN	DESCRIPTION	WEIGHT (kg/m)	AREA (mm ²)	MATERIAL
SV-75-UF-C		Lateral cover	0.852	315.4	AW6060
SV-75-LT-C		Bottom end plate with overlap	0.314	116.19	AW6060
SV-75-YF-C		Lateral cover flush slab edge	1.554	575.58	AW6060
SV-70-UF-C		Lateral cover	0.852	315.4	AW6060
SV-55-UF-C		Lateral cover	0.826	305.96	A W6060

S A R I S N E W V I S I O N B A L U S T R A D E
Profile list




CATALOGUE №	DESIGN	DESCRIPTION	WEIGHT (kg/m)	AREA (mm ²)	MATERIAL
SV-601		Rectangular handle	0.220	81.4	AW6060
SV-602		Rectangular handle	0.244	90.2	AW6060
SV-603		Rectangular handle	0.277	102.6	AW6060
SV-604		Rectangular handle	0.448	166.03	AW6060
SV-55-JB		Juliet balcony wall support	1.490	551.79	A W6060



SARIS NEW VISION BALUSTRADE

Profile list

CATALOGUE №	DESIGN	DESCRIPTION	WEIGHT (kg/m)	AREA (mm ²)	MATERIAL
SV-55-JB-C		Juliet balcony wall support lateral cover	0.567	209.81	AW6060

SARIS NEW VISION BALUSTRADE
Profile list



SARIS NEW VISION | BALUSTRADE





NEW VISION BALUSTRADE

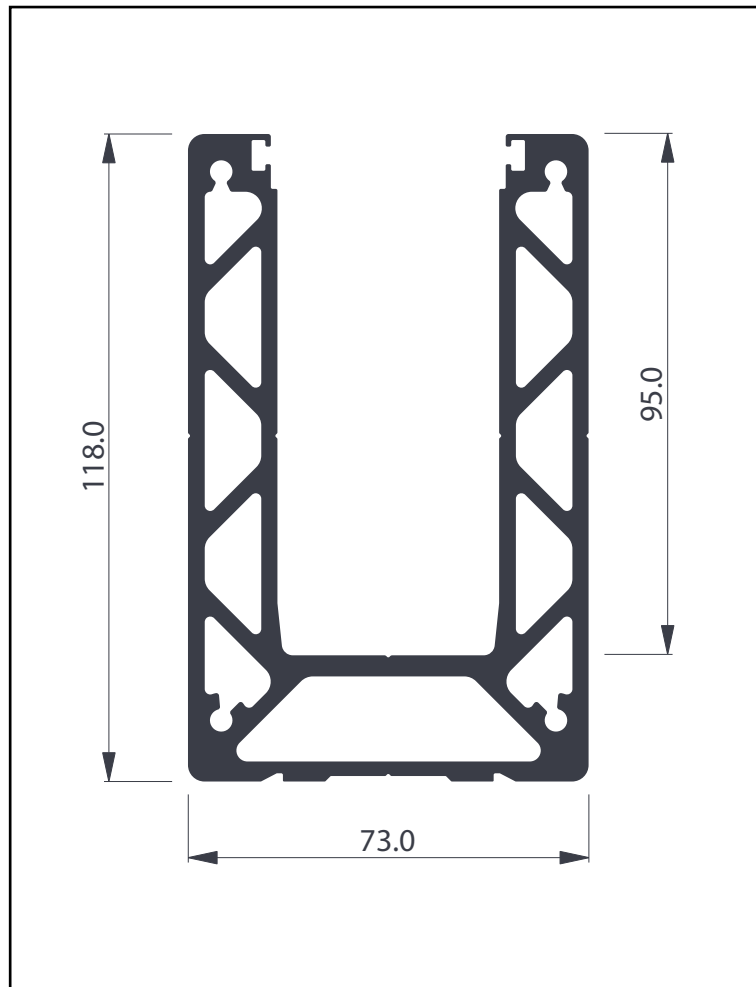
3.PROFILE TO SCALE

IMPORTANT

SARIS Ltd reserved the right to modify or remove any of its system profiles, accesories or gasket without prior notification.
SARIS Ltd will not be responsible for any possible typograhical errors in this catalogue and strongly recommends to the client that, before formalising any order, to check that the references that appear in this catalogue are correct.



SARIS NEW VISION BALUSTRADE
Profiles to scale

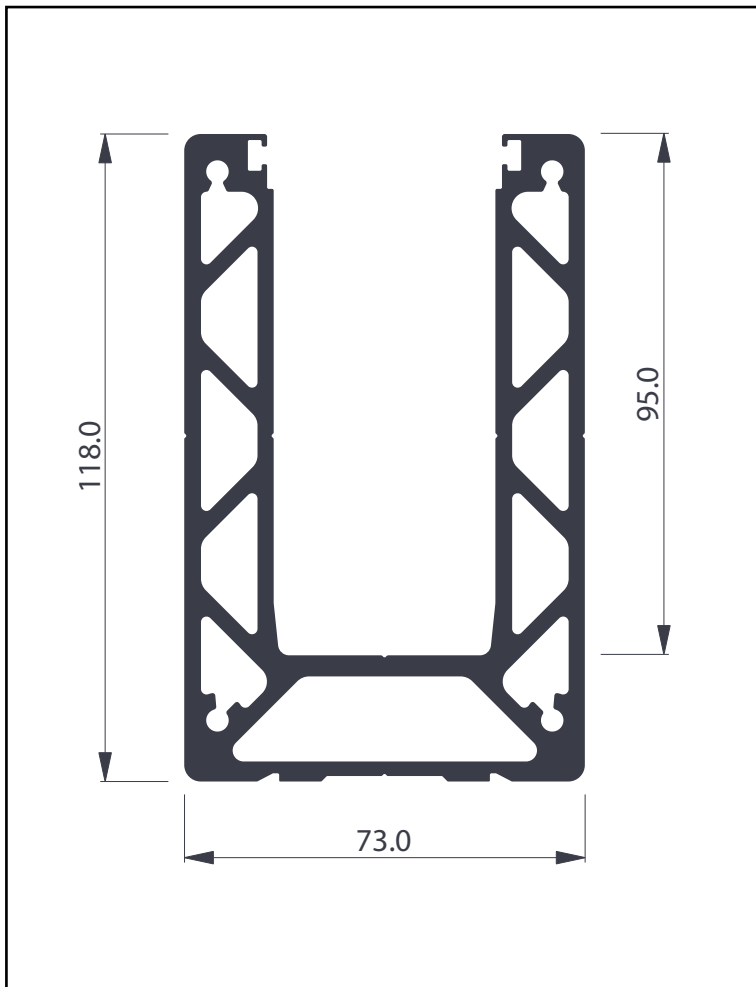


SV-75-UT	
Description	Balustrade bottom support
Weight(kg/m)	6.408
Area (mm ²)	2373.47
Perimeter (mm)	590
Lx (cm ⁴)	327.79
Ly (cm ⁴)	181.76

LAMINATED GLASS COMPOSITIONS

10-1.52-10	10-1.14-10	10-0.76-10
12-1.52-12	12-1.14-12	12-0.76-12

SARIS NEW VISION BALUSTRADE
Profiles to scale



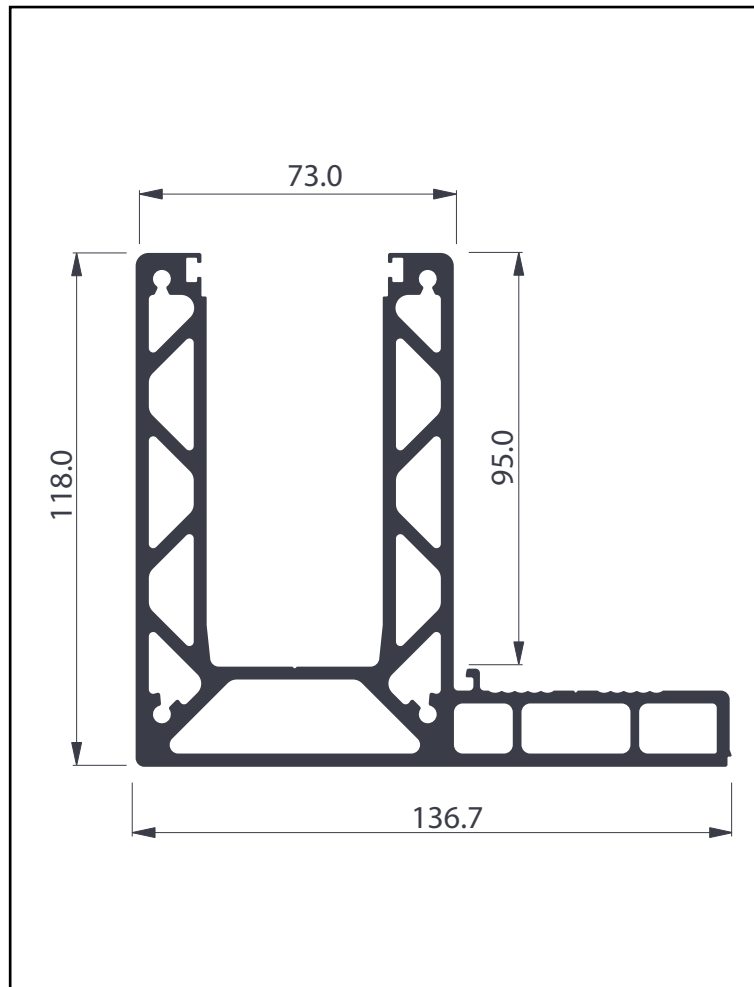
SV-75-UF	
Description	Balustrade bottom support
Weight(kg/m)	6.408
Area (mm ²)	2373.47
Perimeter (mm)	590
Lx (cm ⁴)	327.79
Ly (cm ⁴)	181.76

LAMINATED GLASS COMPOSITIONS

10-1.52-10	10-1.14-10	10-0.76-10
12-1.52-12	12-1.14-12	12-0.76-12



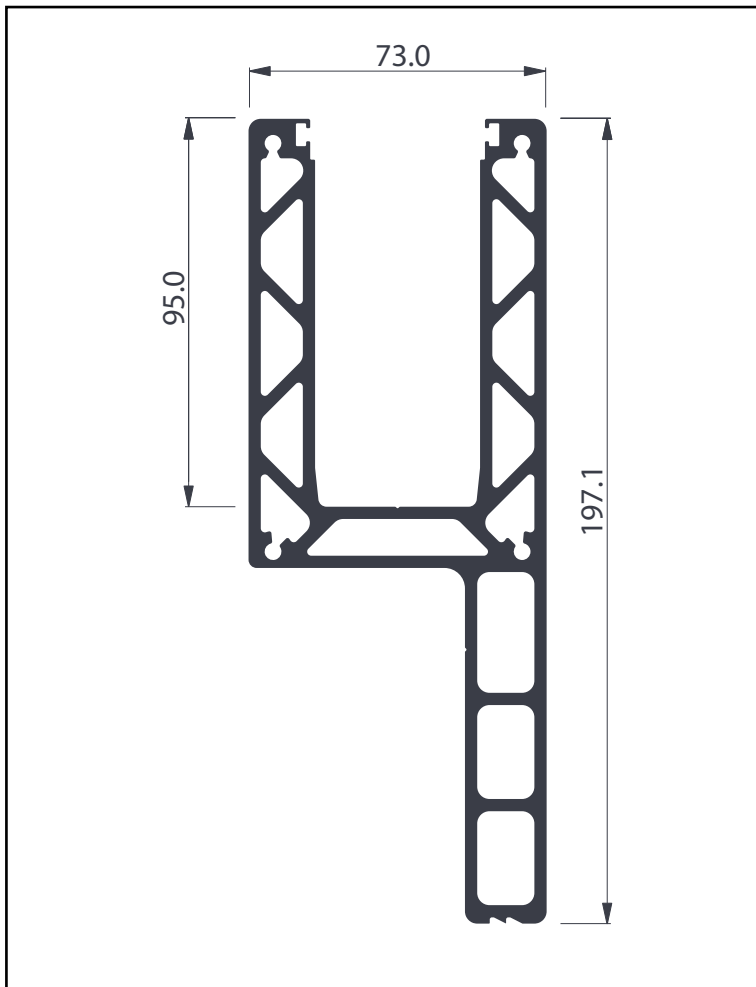
SARIS NEW VISION BALUSTRADE
Profiles to scale



SV-75-LT	
Description	Balustrade bottom support
Weight(kg/m)	7.556
Area (mm ²)	2798.59
Perimeter (mm)	725
Lx (cm ⁴)	395.58
Ly (cm ⁴)	384.59

LAMINATED GLASS COMPOSITIONS		
10-1.52-10	10-1.14-10	10-0.76-10
12-1.52-12	12-1.14-12	12-0.76-12

SARIS NEW VISION BALUSTRADE
Profiles to scale



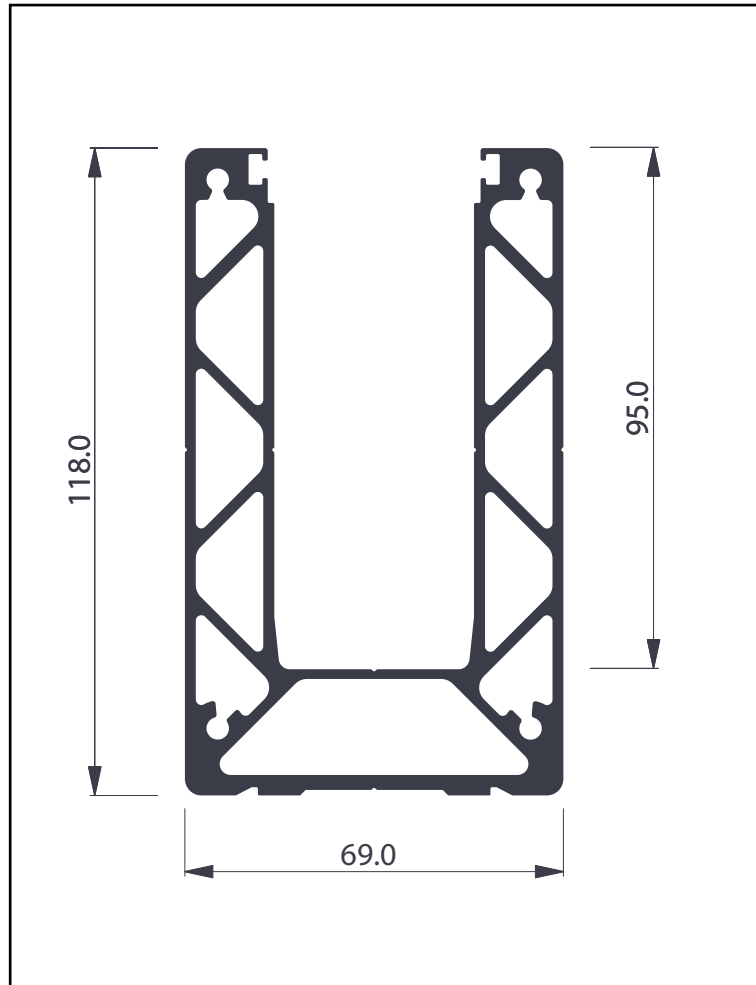
SV-75-YF	
Description	Balustrade support flush slab edge
Weight(kg/m)	7.788
Area (mm ²)	2884.48
Perimeter (mm)	742
Lx (cm ⁴)	792.63
Ly (cm ⁴)	206.63

LAMINATED GLASS COMPOSITIONS

10-1.52-10	10-1.14-10	10-0.76-10
12-1.52-12	12-1.14-12	12-0.76-12



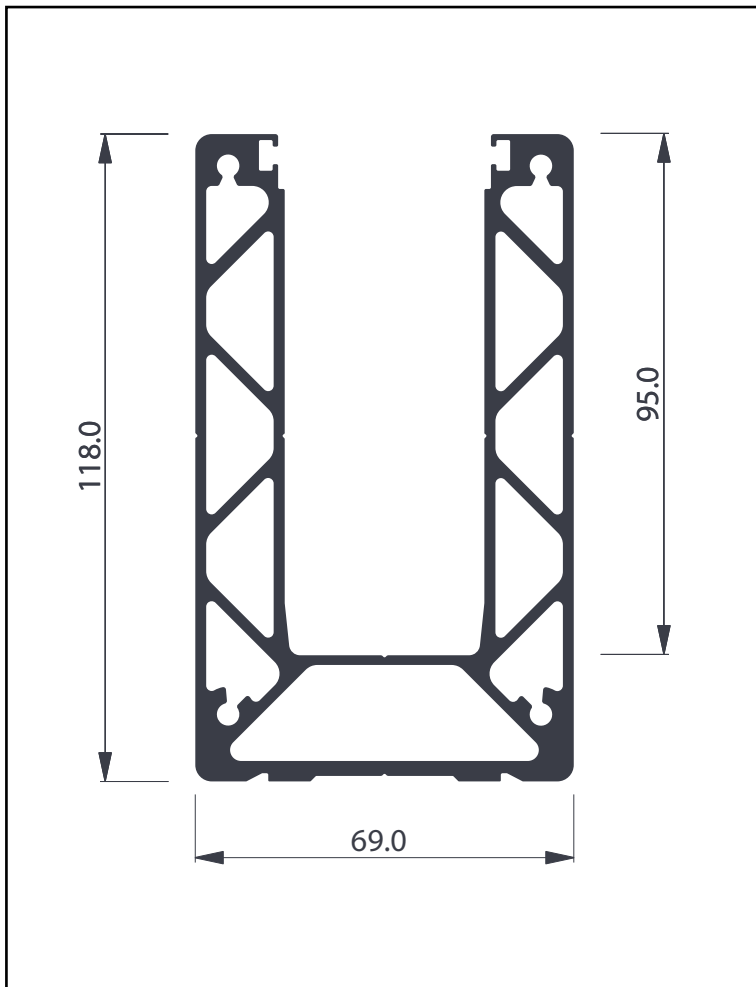
SARIS NEW VISION BALUSTRADE
Profiles to scale



SV-70-UT	
Description	Balustrade bottom support
Weight(kg/m)	4.858
Area (mm ²)	1799.28
Perimeter (mm)	582
Lx (cm ⁴)	268.30
Ly (cm ⁴)	123.55

LAMINATED GLASS COMPOSITIONS		
10-1.52-10	10-1.14-10	10-0.76-10
12-1.52-12	12-1.14-12	12-0.76-12

SARIS NEW VISION BALUSTRADE
Profiles to scale



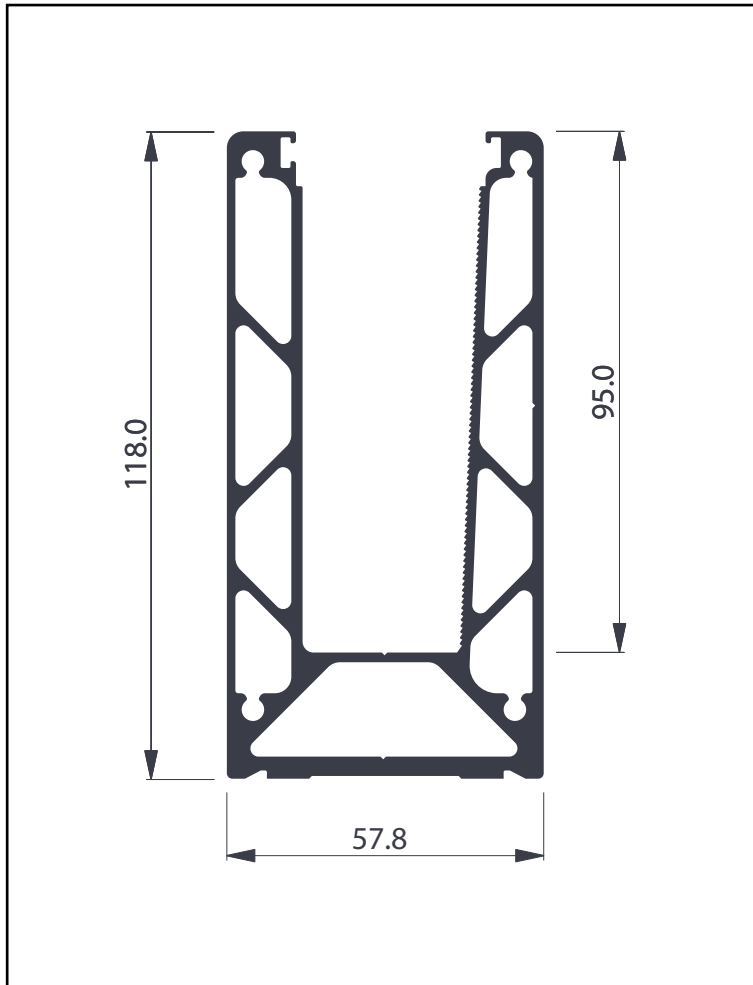
SV-70-UF	
Description	Balustrade bottom support
Weight(kg/m)	4.858
Area (mm ²)	1799.28
Perimeter (mm)	582
Lx (cm ⁴)	268.30
Ly (cm ⁴)	123.55

LAMINATED GLASS COMPOSITIONS

10-1.52-10	10-1.14-10	10-0.76-10
12-1.52-12	12-1.14-12	12-0.76-12



SARIS NEW VISION BALUSTRADE
Profiles to scale

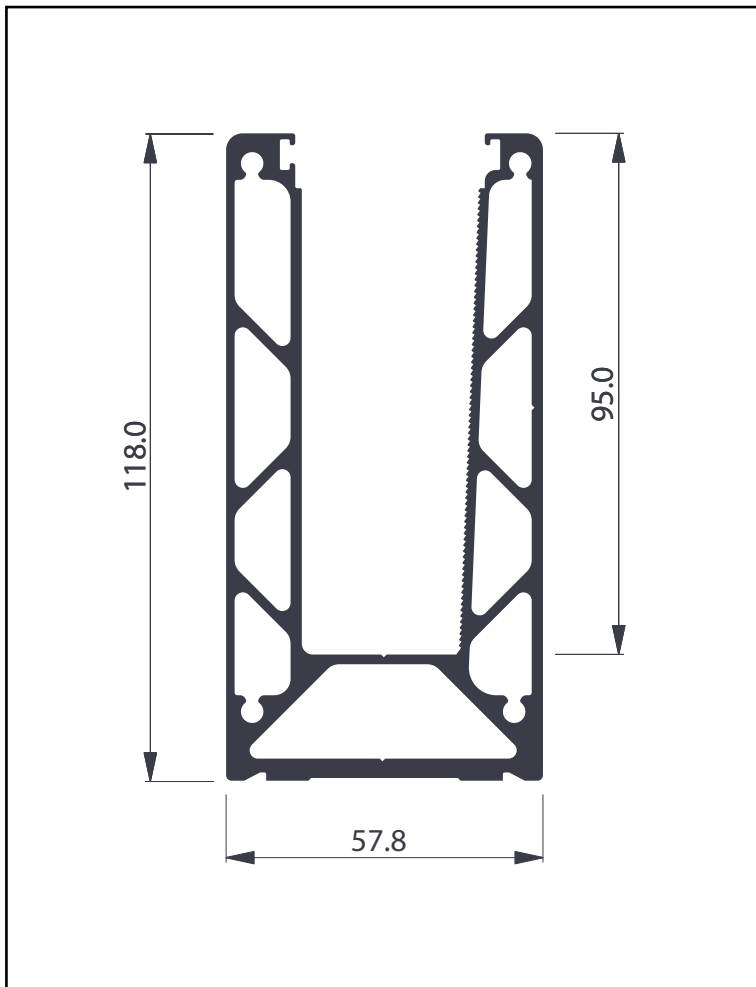


SV-55-UT	
Description	Balustrade bottom support
Weight(kg/m)	3.999
Area (mm ²)	1480.98
Perimeter (mm)	580
Lx (cm ⁴)	205.66
Ly (cm ⁴)	67.26

LAMINATED GLASS COMPOSITIONS

10-1.52-10	10-1.14-10	10-0.76-10
12-1.52-12	12-1.14-12	12-0.76-12

SARIS NEW VISION BALUSTRADE
Profiles to scale



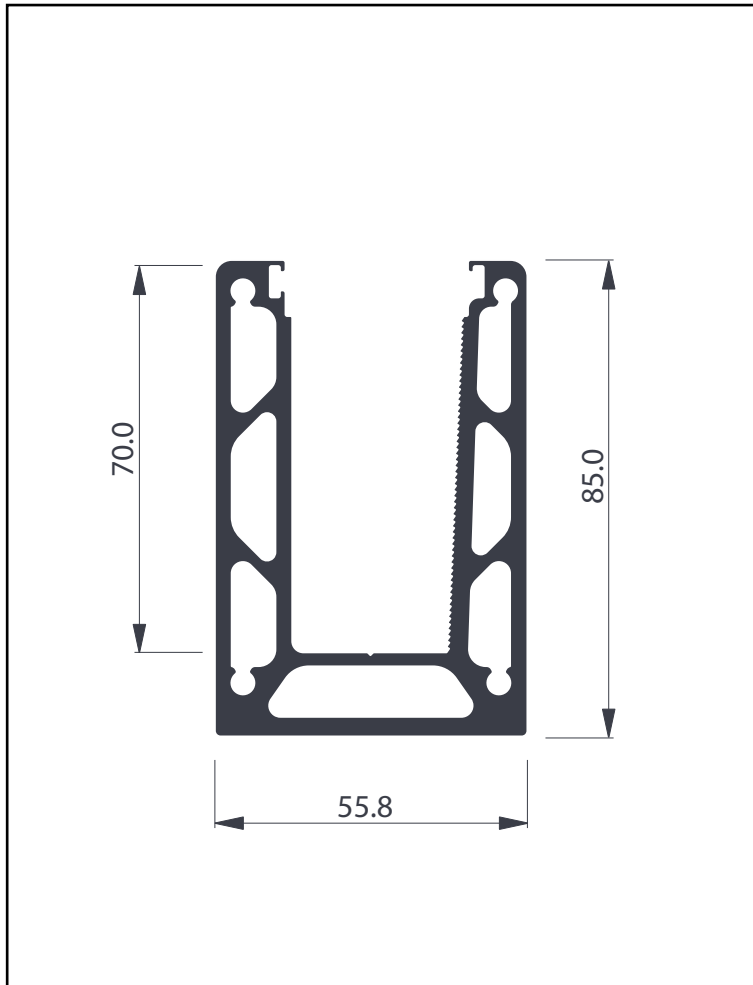
SV-55-UF	
Description	Balustrade bottom support
Weight(kg/m)	3.999
Area (mm ²)	1480.98
Perimeter (mm)	580
Lx (cm ⁴)	205.66
Ly (cm ⁴)	67.26

LAMINATED GLASS COMPOSITIONS

10-1.52-10	10-1.14-10	10-0.76-10
12-1.52-12	12-1.14-12	12-0.76-12



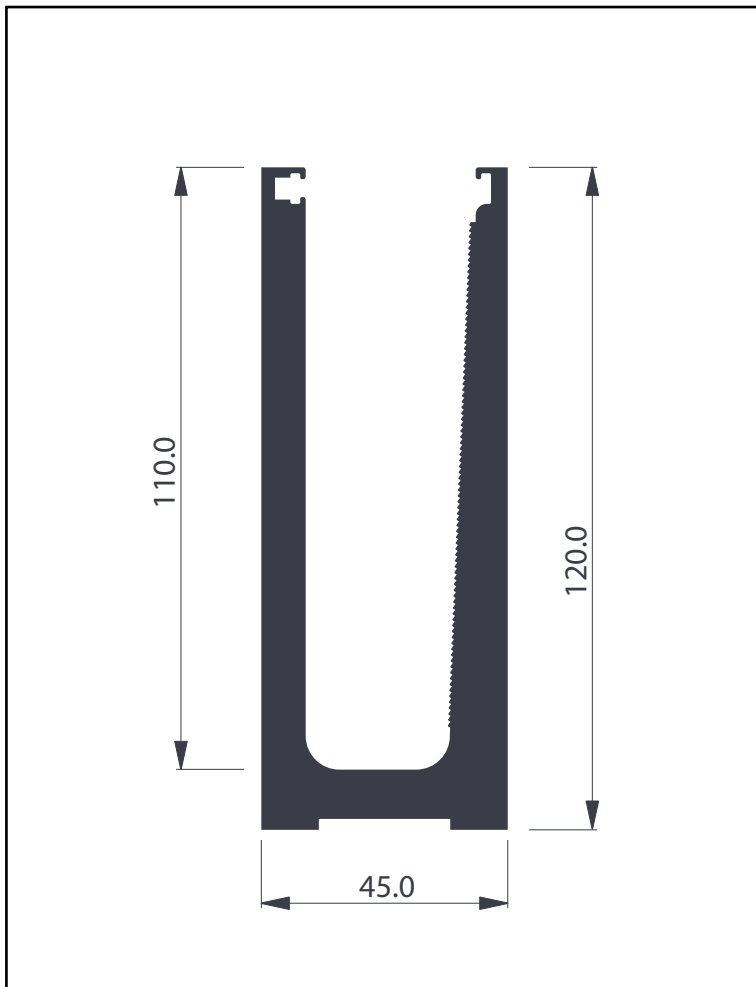
SARIS NEW VISION BALUSTRADE
Profiles to scale



SV-55-UM	
Description	Balustrade bottom support
Weight(kg/m)	4.068
Area (mm ²)	1506.73
Perimeter (mm)	449
Lx (cm ⁴)	103.09
Ly (cm ⁴)	62.72

LAMINATED GLASS COMPOSITIONS		
8-1.52-8	8-1.14-8	8-0.76-8
10-1.52-10	10-1.14-10	10-0.76-10

SARIS NEW VISION BALUSTRADE
Profiles to scale



SV-45-UT	
Description	Balustrade bottom support
Weight(kg/m)	6.118
Area (mm ²)	2265.85
Perimeter (mm)	598
Lx (cm ⁴)	XXXX
Ly (cm ⁴)	XXXX

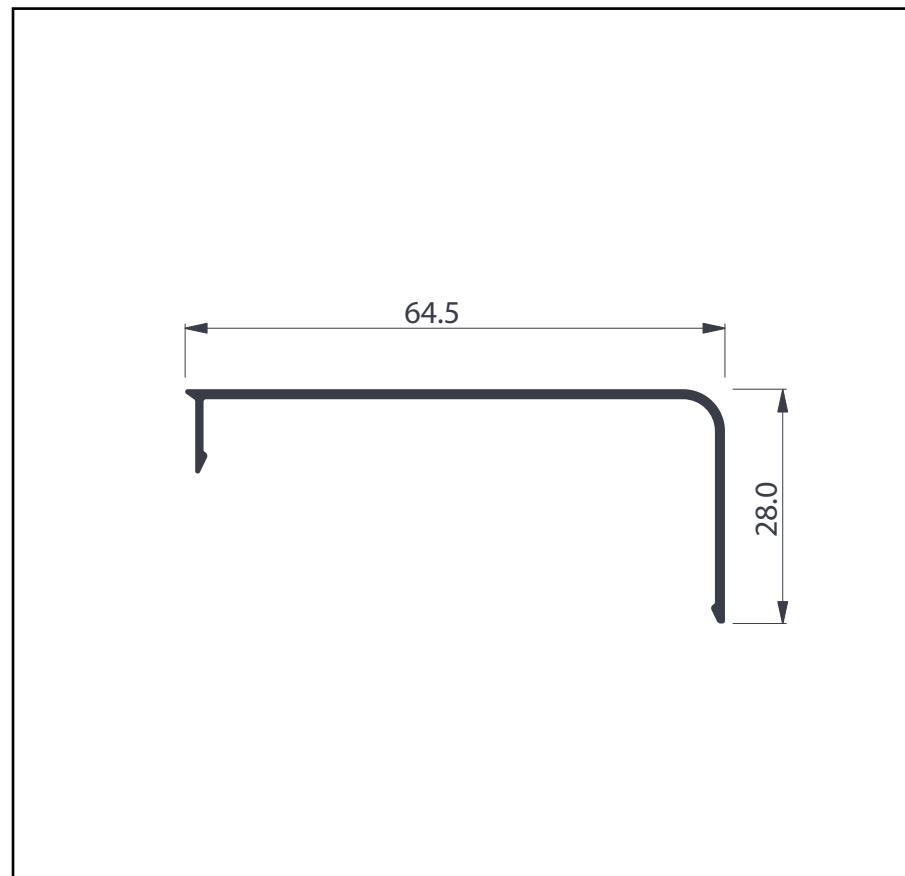
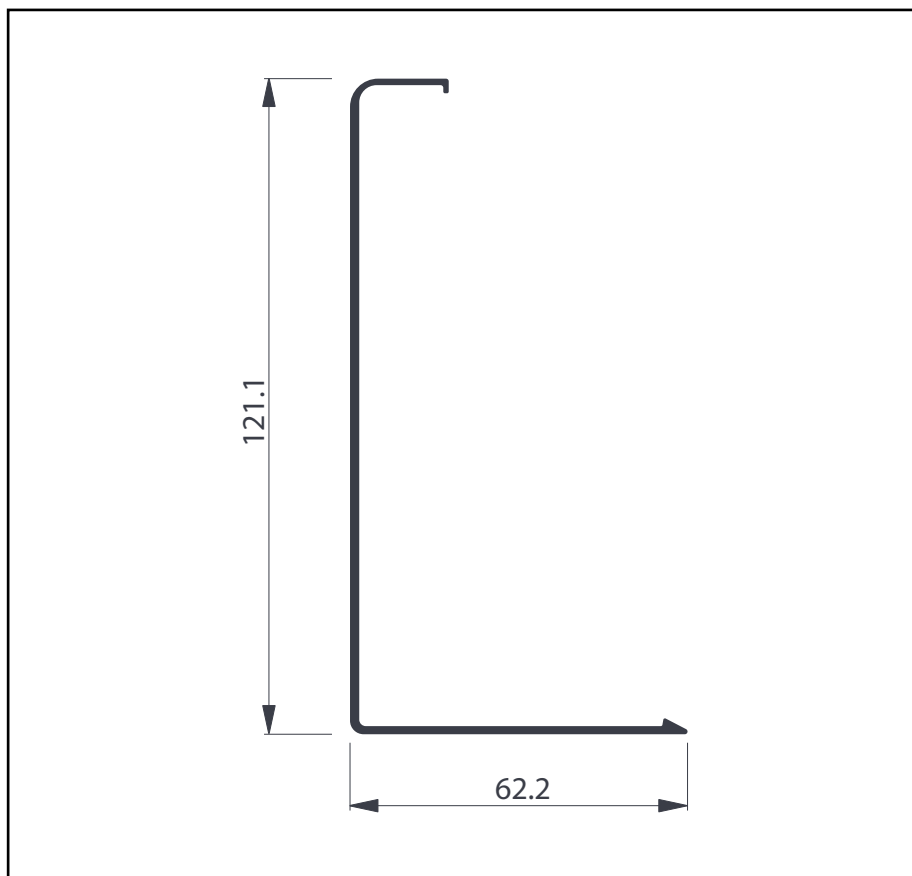
LAMINATED GLASS COMPOSITIONS

8-1.52-8	8-1.14-8	8-0.76-8
10-1.52-10	10-1.14-10	10-0.76-10



SARIS NEW VISION BALUSTRADE

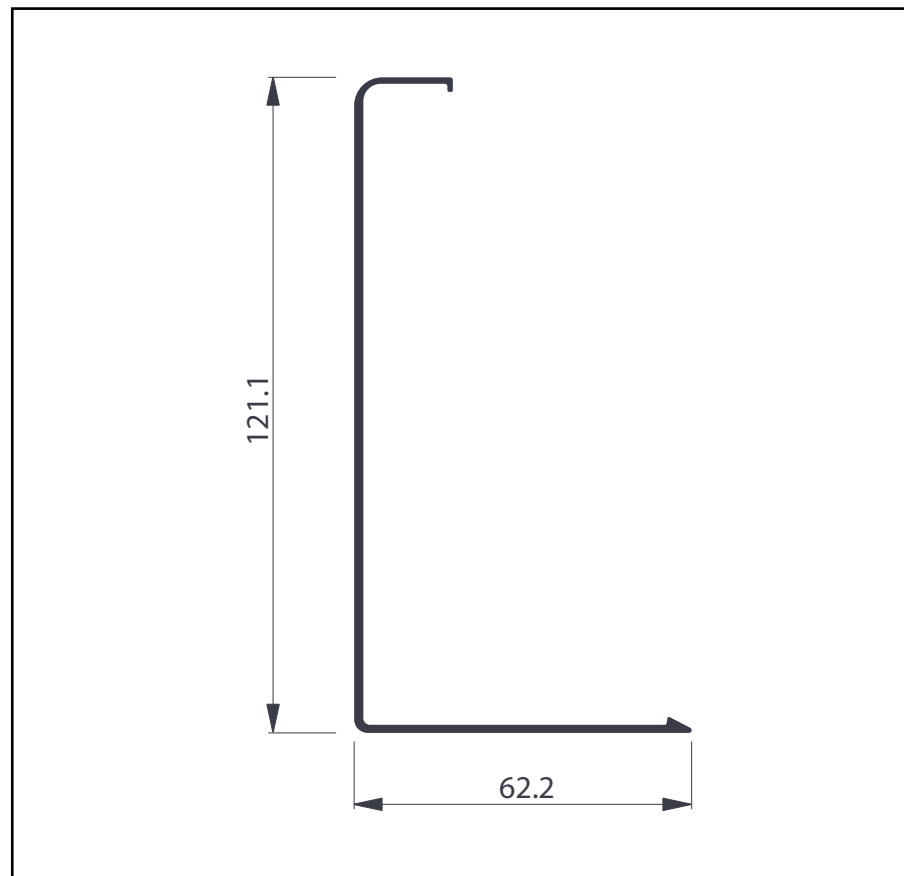
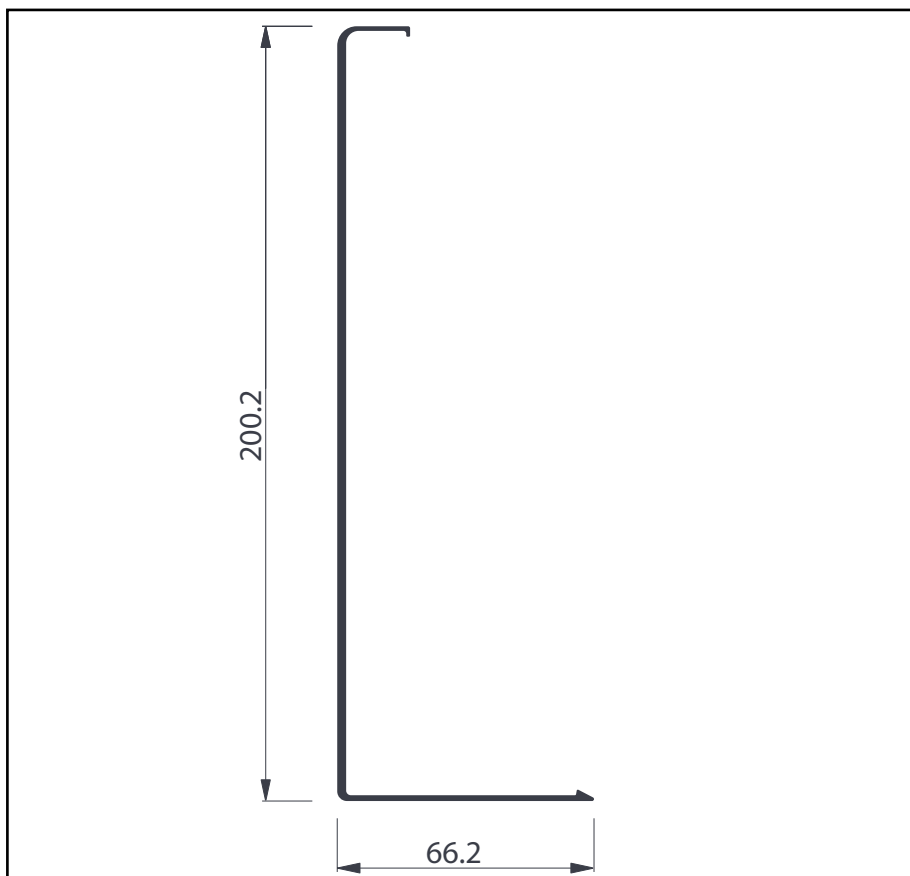
Profiles to scale



SV-75-UF-C	
Description	Lateral cover
Weight(kg/m)	0.852
Area (mm ²)	315.4
Lx (cm ⁴)	XXXX
Ly (cm ⁴)	XXXX

SV-75-LT-C	
Description	Lateral cover
Weight(kg/m)	0.314
Area (mm ²)	116.19
Lx (cm ⁴)	XXXX
Ly (cm ⁴)	XXXX

SARIS NEW VISION BALUSTRADE
Profiles to scale

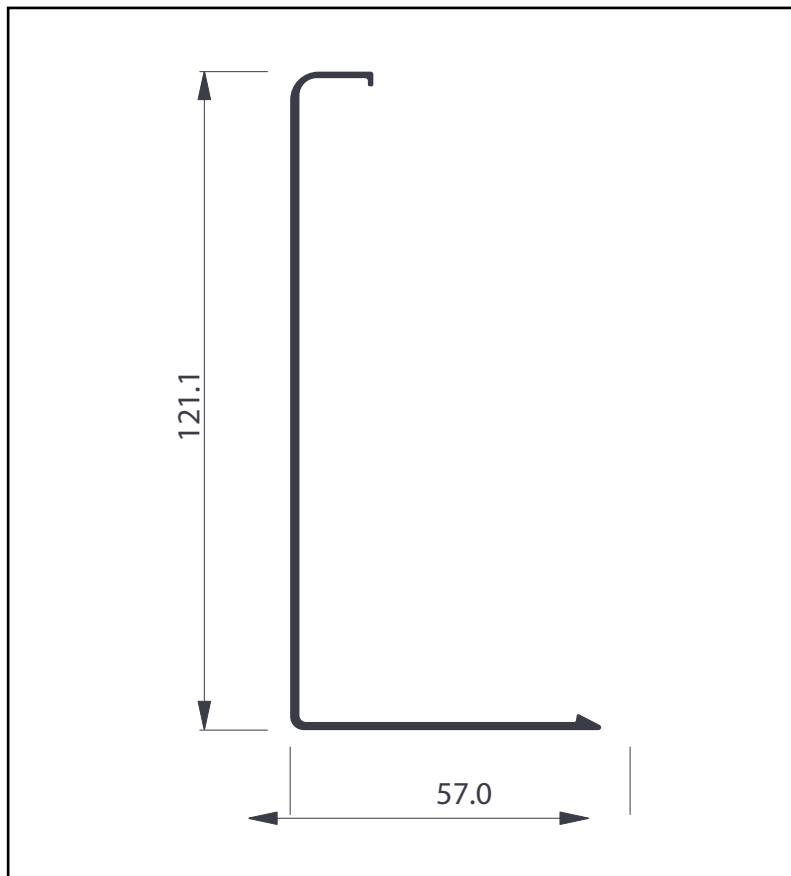


SV-75-YF-C	
Description	Lateral cover
Weight(kg/m)	1.554
Area (mm ²)	575.58
Lx (cm ⁴)	XXXX
Ly (cm ⁴)	XXXX

SV-70-UF-C	
Description	Lateral cover
Weight(kg/m)	0.852
Area (mm ²)	315.4
Lx (cm ⁴)	XXXX
Ly (cm ⁴)	XXXX



SARIS NEW VISION BALUSTRADE
Profiles to scale



SV-601		
	Description	Lateral cover
	Weight(kg/m)	0.220
	Area (mm ²)	81.4
	Lx (cm ⁴)	XXXX
	Ly (cm ⁴)	XXXX

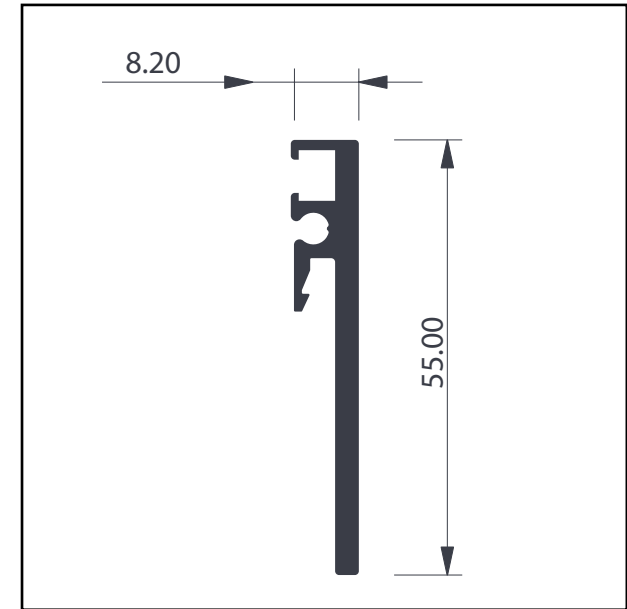
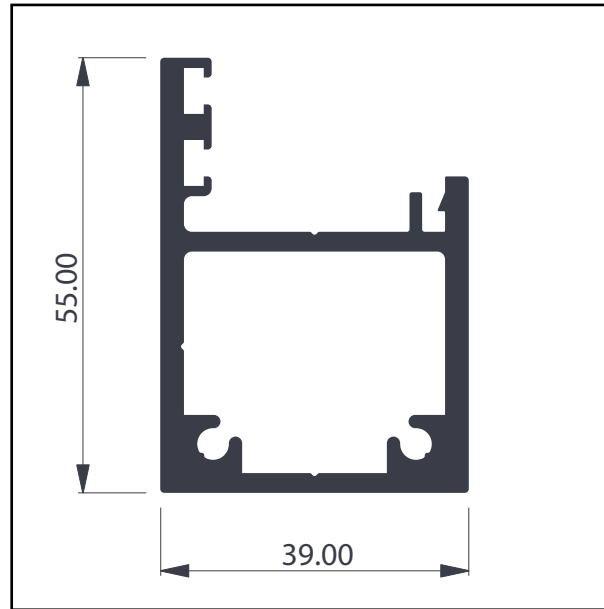
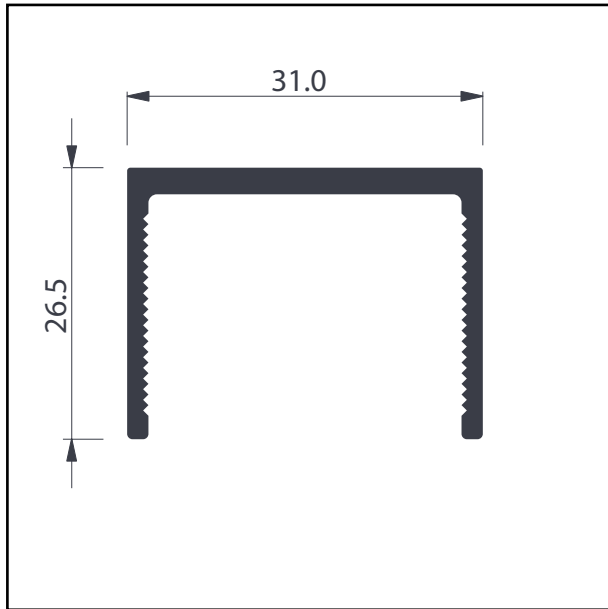
SV-602		
	Description	Lateral cover
	Weight(kg/m)	0.244
	Area (mm ²)	90.2
	Lx (cm ⁴)	XXXX
	Ly (cm ⁴)	XXXX

SV-55-UF-C	
Description	Lateral cover
Weight(kg/m)	0.826
Area (mm ²)	305.96
Lx (cm ⁴)	XXXX
Ly (cm ⁴)	XXXX

SV-603		
	Description	Lateral cover
	Weight(kg/m)	0.277
	Area (mm ²)	102.6
	Lx (cm ⁴)	XXXX
	Ly (cm ⁴)	XXXX

SARIS NEW VISION BALUSTRADE

Profiles to scale



SV-604	
Description	Lateral cover
Weight(kg/m)	0.448
Area (mm ²)	166.03
Lx (cm ⁴)	XXXX
Ly (cm ⁴)	XXXX

SV-55-JB	
Description	Lateral cover
Weight(kg/m)	1.490
Area (mm ²)	551.79
Lx (cm ⁴)	XXXX
Ly (cm ⁴)	XXXX

SV-55-JB-C	
Description	Lateral cover
Weight(kg/m)	0.567
Area (mm ²)	209.81
Lx (cm ⁴)	XXXX
Ly (cm ⁴)	XXXX

IMPORTANT

SARIS Ltd reserved the right to modify or remove any of its system profiles, accessories or gasket without prior notification. SARIS Ltd will not be responsible for any possible typographical errors in this catalogue and strongly recommends to the client that, before formalising any order, to check that the references that appear in this catalogue are correct.

SARIS NEW VISION | BALUSTRADE





NEW VISION BALUSTRADE

4.ACCESSORIES LIST




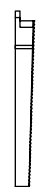

IMPORTANT

SARIS Ltd reserved the right to modify or remove any of its system profiles, accesories or gasket without prior notification.
SARIS Ltd will not be responsible for any possible typographical errors in this catalogue and strongly recommends to the client that, before formalising any order, to check that the references that appear in this catalogue are correct.



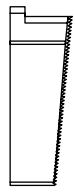



SARIS NEW VISION BALUSTRADE

Profile list

CATALOGUE №	DESIGN	DESCRIPTION	DIMENSION	PC/5 m	MATERIAL
SV-AM-MX01		Adjustment mechanism Easy-A	105x74	20	PA6GF30
SV-AP-3.5		Adjustment Pad 3.5mm	85x22	20	PA6GF30
SV-AP-2.5		Clear Pad 2.5mm	85x22	20	PA6GF30
SV-AW-6		Wedge mounting Wedge-F - 6mm	6	20	PA6GF30
SV-AW-8.4		Wedge mounting Wedge-F - 8.4mm	8.4	20	PA6GF30

SARIS NEW VISION BALUSTRADE
Profile list

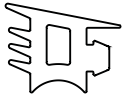
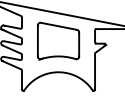
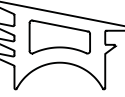
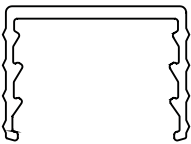
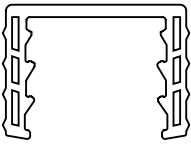


CATALOGUE №	DESIGN	DESCRIPTION	T	PC/5 m	MATERIAL
SV-AW-12.4		Wedge mounting Wedge-F - 12.4mm	12.4	20	PA6GF30
CATALOGUE №	DESIGN	DESCRIPTION	T	m/rol	HARDNESS
SR-1		EPDM rubber seals 3.3mm	3.3	200	55±5 Sha
SR-2		EPDM rubber seals 5.4mm	5.4	140	55±5 Sha
SR-3		EPDM rubber seals 8.6mm	8.6	110	55±5 Sha



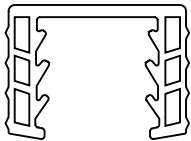
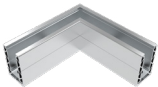
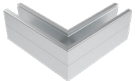

SARIS NEW VISION BALUSTRADE

Accessories list

CATALOGUE №	DESIGN	DESCRIPTION	T	m/rol	MATERIAL
SR-3-J		EPDM rubber seals 8.6mm juliet	8.6	100	55±5 Sha
SR-4		EPDM rubber seals 11.5mm	11.5	100	55±5 Sha
SR-5		EPDM rubber seals 15.0mm	15.0	85	55±5 Sha
SR-CA-1		EPDM rubber seals - G12+12 / sv-604 /	29.4	85	55±5 Sha
SR-CA-2		EPDM rubber seals - G10+10 / sv-604 /	29.4	85	55±5 Sha

SARIS NEW VISION BALUSTRADE
Accessories list


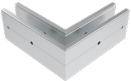

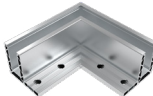



CATALOGUE №	DESIGN	DESCRIPTION	T	m/rol	MATERIAL
SR-CA-3		EPDM rubber seals - G8+8 <i>/ sv-604 /</i>	29.4	85	55±5 Sha
CATALOGUE №	DESIGN	DESCRIPTION	DIMENSION	PC	WEIGHT (kg/pc)
SV-75-UT-CO		Outer corner <i>/ sv-75 /</i>	300x300	1	3.361
SV-75-UT-CI		Inner corner <i>/ sv-75 /</i>	300x300	1	3.361
SV-75-UT-CC		End caps, straight line mount	-	2	-







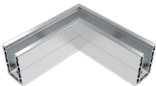
SARIS NEW VISION BALUSTRADE

Accessories list

CATALOGUE №	DESIGN	DESCRIPTION	DIMENSION	PC	WEIGHT (kg/pc)
SV-75-UF-CO		Outer corner / sv-75 /	1	1	3.327
SV-75-UF-CI		Inner corner / sv-75 /	1	1	3.327
SV -75-UF-CC		End caps, straight line mount	-	2	
SV-75-LT-CO		Outer corner / sv-75 /	300x300	1	3.792
SV-75-LT-CI		Inner corner / sv-75 /	300x300	1	3.179

SARIS NEW VISION BALUSTRADE
Accessories list

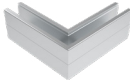


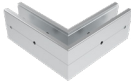



CATALOGUE №	DESIGN	DESCRIPTION	DIMENSION	PC	WEIGHT (kg/pc)
SV-75-LT-CC		End caps, straight line mount	-	2	-
SV-75-YF-CO		Outer corner <i>/ sv-75 /</i>	300x300	1	3.361
SV-75-YF-CI		Inner corner <i>/ sv-75 /</i>	300x300	1	3.547
SV-75-YF-CC		End caps, straight line mount	-	2	-
SV-70-UT-CO		Outer corner <i>/ sv-70 /</i>	300x300	1	2.586




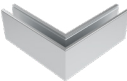


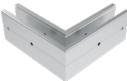
SARIS NEW VISION BALUSTRADE

Accessories list

CATALOGUE №	DESIGN	DESCRIPTION	DIMENSION	PC	WEIGHT (kg/pc)
SV-70-UT-CI		Inner corner / sv-70 /	300x300	1	2.586
SV-70-UT-CC		End caps, straight line mount	-	2	-
SV-70-UF-CO		Outer corner / sv-70 /	300x300	1	2.543
SV-70-UF-CI		Inner corner / sv-70 /	300x300	1	2.543
SV-70-UF-CC		End caps, straight line mount	-	2	-

SARIS NEW VISION BALUSTRADE
Accessories list



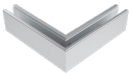




CATALOGUE №	DESIGN	DESCRIPTION	DIMENSION	PC	WEIGHT (kg/pc)
SV-55-UT-CO		Outer corner <i>/ sv-55 /</i>	300x300	1	2.158
SV-55-UT-CI		Inner corner <i>/ sv-55 /</i>	300x300	1	2.158
SV-55-UT-CC		End caps, straight line mount	-	2	-
SV-55-UF-CO		Outer corner <i>/ sv-55 /</i>	300x300	1	2.141
SV-55-UF-CI		Inner corner <i>/ sv-55 /</i>	300x300	1	2.141





SARIS NEW VISION BALUSTRADE

Accessories list

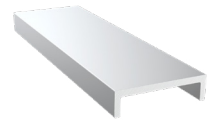
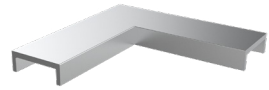
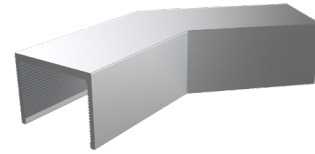
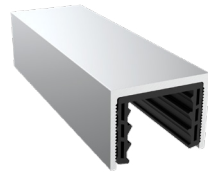
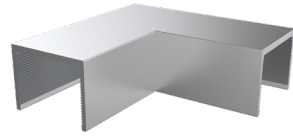
CATALOGUE №	DESIGN	DESCRIPTION	DIMENSION	PC	WEIGHT (kg/pc)
SV-55-UF-CC		End caps, straight line mount	-	2	-
SV-55-UM-CO		Outer corner / sv-55 /	300x300	1	2.198
SV-55-UM-CI		Inner corner / sv-55 /	300x300	1	2.198
SV-55-UM-CC		End caps, straight line mount	-	2	-
SV-45-UT-CO		Outer corner / sv-45 /	300x300	1	3.367

SARIS NEW VISION BALUSTRADE
Accessories list

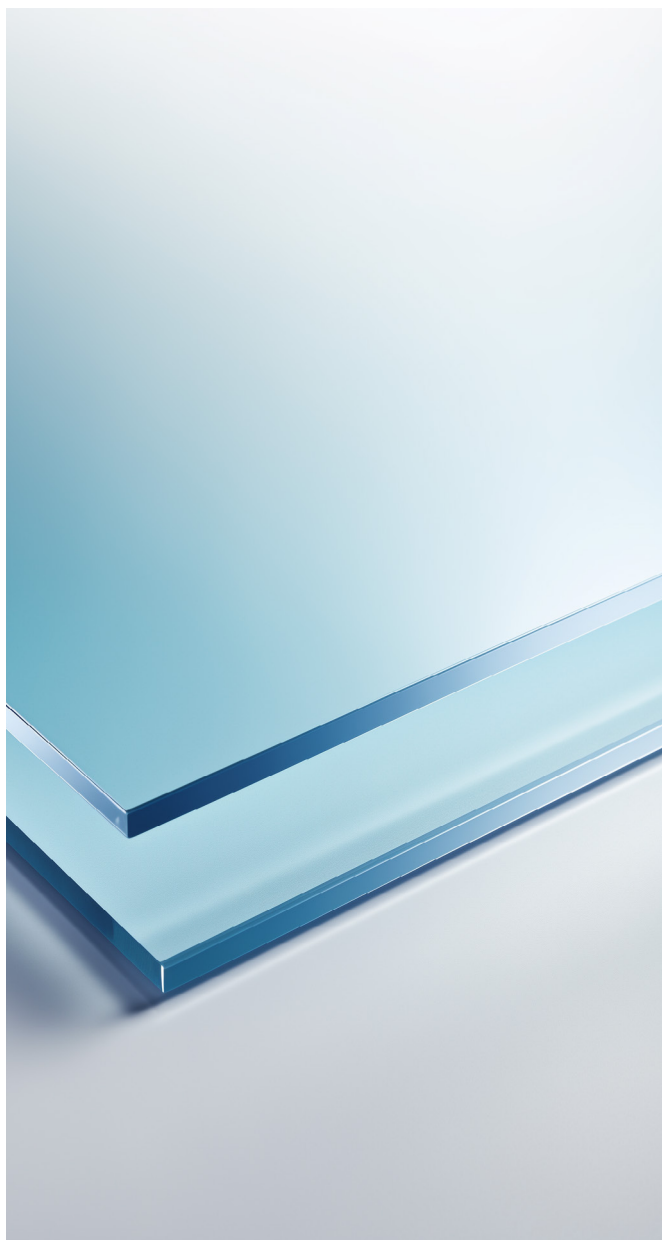


CATALOGUE №	DESIGN	DESCRIPTION	DIMENSION	PC	WEIGHT (kg/pc)
SV-45-UT-CI		Inner corner / sv-45 /	300x300	1	3.367
SV-45-UT-CC		End caps, straight line mount	-	2	-





Glass Specification



Unique thanks to its strength and exceptional aesthetics

Stratobel Strong is a laminated glass that incorporates a plastic film that is much more rigid than the PVB layers typically used in conventional safety glass. Its higher strength ensures better mechanical properties. The powerful adhesion of PVB Strong to the glass makes the laminate more resistant to moisture, thus reducing the risk of delamination. In addition, Stratobel Strong is more resistant to stress and deformation which, under certain conditions, renders the toughening process unnecessary. As Stratobel Strong is an annealed glass, it is available ex stock and can be processed to order on very quick lead times with an unbeatable final aesthetic.

What's so special What does this mean about it? for you?

- Increased mechanical resistance – Interlayer much stiffer than traditional PVB layers. Under certain conditions it is possible to avoid toughening the glass. Glass can be cut and processed from stock on unbeatable lead times.
- High adhesion – The high adhesion makes it more resistant to moisture as well as compatible with a wide range of sealants and adhesives.
- Safe behaviour – The glass remains in position even after breakage.
- Stiffer PVB layer – PVB Strong is 100 times stiffer than traditional PVB meaning lower glass deflection under load conditions.



Office located in Sofia City

Residential Complex Mladost, Sofia,
Building 551A, Ground Floor

Phone number: +359 886 080 272

Office located in Plovdiv City

Skopje Street 112, Plovdiv,
Southern Industrial Zone

Phone number: +359 32 657 104
Phone number: +359 32 657 108

Production Facility

Boulevard Kuklensko Shose 6, Plovdiv,
Southern Industrial Zone

Phone number: +359 32 657 110
Phone number: +359 32 657 112

